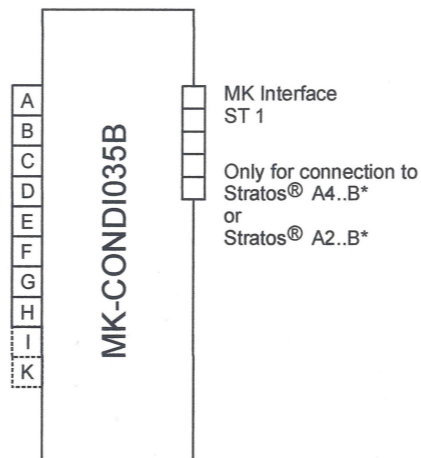


Measuring Module Type MK-CONDI035B for Stratos® Type A4..B\*, A2..B\*

IECEX, ATEX control drawing 212.002-100  
 FM control drawing 212.002-300  
 CSA control drawing 212.002-330

| MK interface  | In type of protection intrinsic safety or non-sparking, only for connection to Stratos® A4..B*, A2..B* |                 |            |                              |                              |                |                |                              |                |                |                       |
|---|--|-----------------|------------|------------------------------|------------------------------|----------------|----------------|------------------------------|----------------|----------------|-----------------------|
| Conductivity/Temperature Measuring Loop<br>(Terminals A, B, C, D, E, F, G, H) |  |                 |            | Ex ic IIC, IIIC<br>Ex nA IIC | Ex ic IIB, IIIB<br>Ex nA IIB |                |                | Ex ic IIA, IIIA<br>Ex nA IIA |                |                |                       |
|   | CI I, Div 2, Grp A, B, C & D<br>CI II, III, Div 2, Grp F & G<br>CI I, Zone 2, Grp IIC                  |                 |            |                              |                              |                |                |                              |                |                |                       |
|   | Uo, Voc<br>(V)   | Io, Isc<br>(mA) | Po<br>(mW) | Co, Ca<br>(µF)               | Lo, La<br>(mH)               | Co, Ca<br>(µF) | Lo, La<br>(mH) | Co, Ca<br>(µF)               | Lo, La<br>(mH) | Co, Ca<br>(µF) | Lo, La<br>(mH)        |
| 3   | 6  | 18              | 1000       | 1000                         | 1000                         | 1000           | 1000           | 1000                         | 1000           | 1000           | Linear characteristic |

The measuring circuits are galvanically connected  
 Do not mix different Types of Protection



WARNING - SUBSTITUTION OF COMPONENTS MAY IMPAIR INTRINSIC SAFETY  
 WARNING - SUBSTITUTION OF COMPONENTS MAY IMPAIR THE SUITABILITY FOR DIV 2 / ZONE 2  
 WARNING - DO NOT SEPARATE MODULE WHEN ENERGIZED

Notes:

IECEX, ATEX, FM, CSA

- When installed in Stratos® Type A4..B, A2..B: Intrinsically Safe Equipment connecting to A, B, C, D, E, F, G, H must be IECEX or ATEX or FM or CSA Approved or be a simple Apparatus.
- Simple Apparatus is defined as a device that does not generate more than 1.5 V, 0.1 A, or 25 mW.

FM

- The Intrinsic Safety Entity concept allows the interconnection of FM Approved intrinsically safe devices with entity parameters not specifically examined in combination as a systems when:  
 $U_o \text{ or } V_o \text{ or } V_t \leq V_{max}$ ,  $I_o \text{ or } I_{sc} \text{ or } I_t \leq I_{max}$ ,  $P_o \leq P_i$ ,  $C_a \text{ or } C_o \geq \sum C_i + \sum C_{cable}$   
 For inductance use either  $L_a \text{ or } L_o \geq \sum L_i + \sum L_{cable}$  or  $L_e/R_e \leq (L_a/R_a \text{ or } L_o/R_o)$  and  $L_i/R_i \leq (L_a/R_a \text{ or } L_o/R_o)$

- Installation should be in accordance with ANSI/ISA RP12.06.01, "Installation of Intrinsically Safe Systems for Hazardous (Classified) Locations" and the National Electrical Code® (ANSI/NFPA 70).

- No revisions to drawing without prior FM Approvals authorisation.

CSA

- Installation must be in accordance with Canadian Electrical Code for Hazardous Locations

AVERTISSEMENT - LA SUBSTITUTION DE COMPOSANTS PEUT COMPROMETTRE LA SÉCURITÉ INTRINSÈQUE

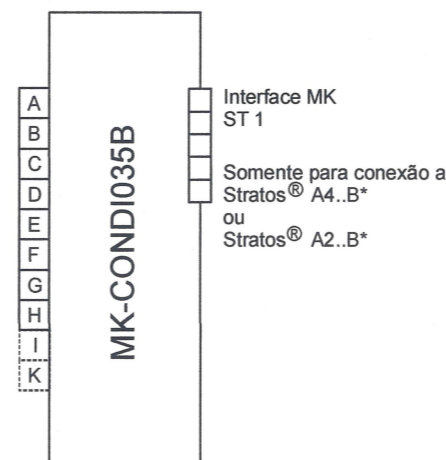
AVERTISSEMENT - LA SUBSTITUTION DE COMPOSANTS PEUT COMPROMETTRE LA CONFORMITÉ POUR DIV 2 / ZONE 2

AVERTISSEMENT - NE PAS SÉPARER LE MODULE SOUS TENSION

Módulo de Medição Tipo MK-CONDI035B para Stratos® Tipo A4..B\*, A2..B\*  
 Desenho de controle INMETRO 212.002-100

| Interface MK  | Em tipo de proteção: „segurança intrínseca“, somente para conexão a Stratos® A4..B*, A2..B* |                 |            |                              |                              |                |                |                              |                |                |                       |
|---|---|-----------------|------------|------------------------------|------------------------------|----------------|----------------|------------------------------|----------------|----------------|-----------------------|
| Malha de Medição de Condutividade/Temperatura<br>(Terminais A, B, C, D, E, F, G, H) |   |                 |            | Ex ic IIC, IIIC<br>Ex nA IIC | Ex ic IIB, IIIB<br>Ex nA IIB |                |                | Ex ic IIA, IIIA<br>Ex nA IIA |                |                |                       |
|   | CI I, Div 2, Grp A, B, C & D<br>CI II, III, Div 2, Grp F & G<br>CI I, Zone 2, Grp IIC       |                 |            |                              |                              |                |                |                              |                |                |                       |
|   | Uo, Voc<br>(V)  | Io, Isc<br>(mA) | Po<br>(mW) | Co, Ca<br>(µF)               | Lo, La<br>(mH)               | Co, Ca<br>(µF) | Lo, La<br>(mH) | Co, Ca<br>(µF)               | Lo, La<br>(mH) | Co, Ca<br>(µF) | Lo, La<br>(mH)        |
| 3   | 6   | 18              | 1000       | 1000                         | 1000                         | 1000           | 1000           | 1000                         | 1000           | 1000           | Característica linear |

Os circuitos de medição são conectados galvanicamente  
 Não misture diferentes tipos de proteção.



ATENÇÃO - A SUBSTITUIÇÃO DE COMPONENTES PODE PREJUDICAR A SEGURANÇA INTRÍNSECA

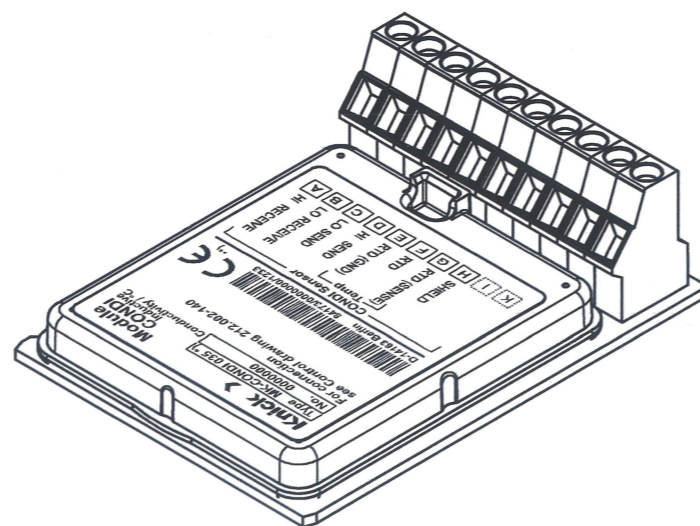
ATENÇÃO - A SUBSTITUIÇÃO DE COMPONENTES PODE PREJUDICAR A APTIDÃO PARA DIV 2 / ZONA 2

ATENÇÃO - NÃO SEPRE O MÓDULO QUANDO ENERGIZADO

Notas:

INMETRO

- Quando instalado em Stratos® Tipo A4..B, A2..B: O equipamento intrinsecamente seguro conectado a A, B, C, D, E, F, G, H precisa ter aprovação IECEX ou ATEX ou FM ou CSA ou INMETRO ou ser um Aparelho simples.
- Definição de Aparelho Simples: instrumento que não gera mais que 1,5 V, 0,1 A ou 25 mW.



|                        |  |  |  |  |  |  |  |
|------------------------|--|--|--|--|--|--|--|
| Verteiler:<br>FUL (2x) |  |  | Zul. Abweichungen<br>für Maße ohne<br>Toleranzangabe |  |  | Maßstab<br>Halbzeug                          |  |
|                        |  |  |  |  |  | Benennung<br>MK-CONDI035B<br>Control drawing |  |
|                        |  |  |  |  |  | Zeichnungsnummer<br>212.002-140              |  |
|                        |  |  |  |  |  | Blatt<br>2 Bl.                               |  |
| 7 ARENÇÃO              |  |  | 13.02.18   |  |  | dam  |  |
| 6 Units                |  |  | 24.01.18   |  |  | dam  |  |
| 5 page1 "X", page2 "B" |  |  | 14.01.16   |  |  | dam  |  |
| 4 Texts                |  |  | 21.09.15   |  |  | dam  |  |
| 3 Texts                |  |  | 05.09.12   |  |  | dam  |  |
| 2 Inmetro Texte        |  |  | 06.04.11   |  |  | dam  |  |
| 1 Texts                |  |  | 25.08.09   |  |  | dam  |  |
| Nr. Änderungen         |  |  | Datum  |  |  | Bearb. FGL KON                               |  |
|                        |  |  |  |  |  | Elektronische Messgeräte GmbH & Co. KG       |  |



The reproduction, distribution and utilization of this document as well as the communication of its contents to others without explicit authorization is prohibited.

Weitergabe sowie Vervielfältigung dieses Dokuments, Verwertung und Mitteilung seines Inhalts sind verboten, soweit nicht ausdrücklich erlaubt.