

EPC710 Connection Bracket

Prior to installation and assembly, make sure you have read and understood the “Supplemental Directives” and “Safety” chapters in the User Manual for the EPC710 basic unit.

Intended Use

The EPC710 Connection Bracket (the “product”) is used to feed through and provide strain relief for cables and hoses. It contains connection points for the compressed air and water supply.

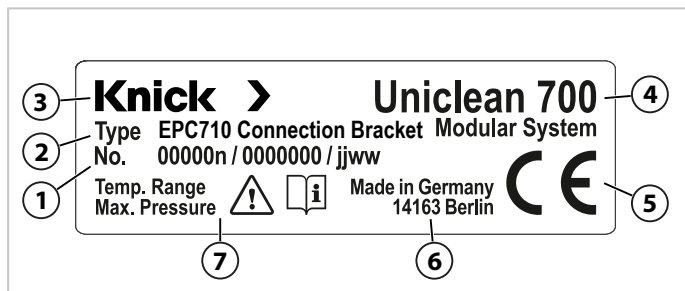
Use of the product is only permitted in compliance with the operating conditions stated in the Specifications.

Package Contents

- EPC710 Connection Bracket
- Installation Guide

Nameplate

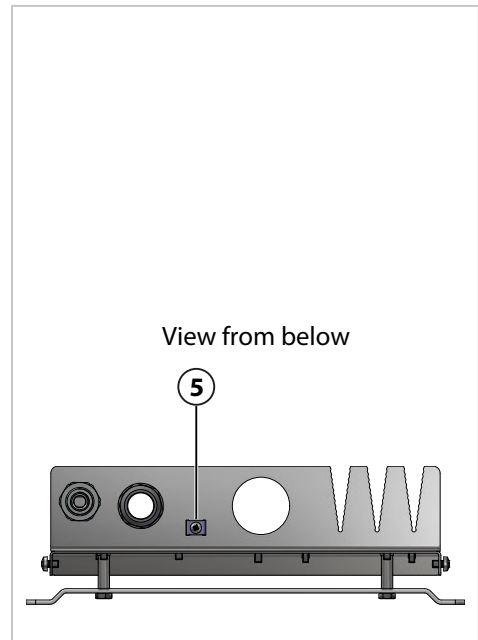
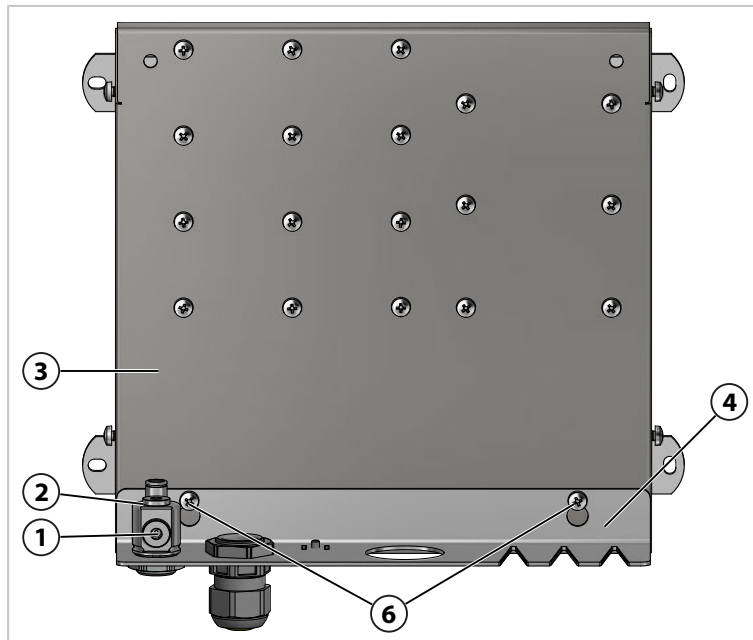
The product is identified by a nameplate.



- 1 Item number, serial number, year/month
- 2 Model designation
- 3 Manufacturer
- 4 Product family
- 5 CE mark
- 6 Manufacturer address
- 7 For temperature range and max. operating pressure, see Specifications

Installation

The pre-assembled compressed air distributor (2) has 3 outputs G $\frac{1}{8}$ ". Unused outputs must be sealed with conduit plugs (1).



01. Loosen the screws (6) and fasten the EPC710 Connection Bracket (4) to the base plate (3) (see figure).

Note: All screws are pre-installed on the base plate.

02. Connect the grounding connection (5) to the system’s equipotential bonding.

Specifications

Ambient Conditions

Transport/storage temperature	-20 ... 70 °C (-4 ... 158 °F)
Ambient temperature	-20 ... 70 °C (-4 ... 158 °F)
Relative humidity	5 ... 95 %, not condensing

Compressed Air Supply

Quality of compressed air according to ISO 8573-1:2010	Quality class 7:2:4, free of aggressive constituents
Operating pressure	3 ... 10 bar (43.5 ... 145 psi)
Connection	G $\frac{1}{4}$ " female thread

General

Dimensions (W × H × D)	Approx. 30 × 275 × 60 mm (1.18 × 10.82 × 2.36")
Weight	Approx. 0.45 kg
Material	Stainless steel A2, nickel-plated brass, polyamide
Installation	On EPC700 base plate

