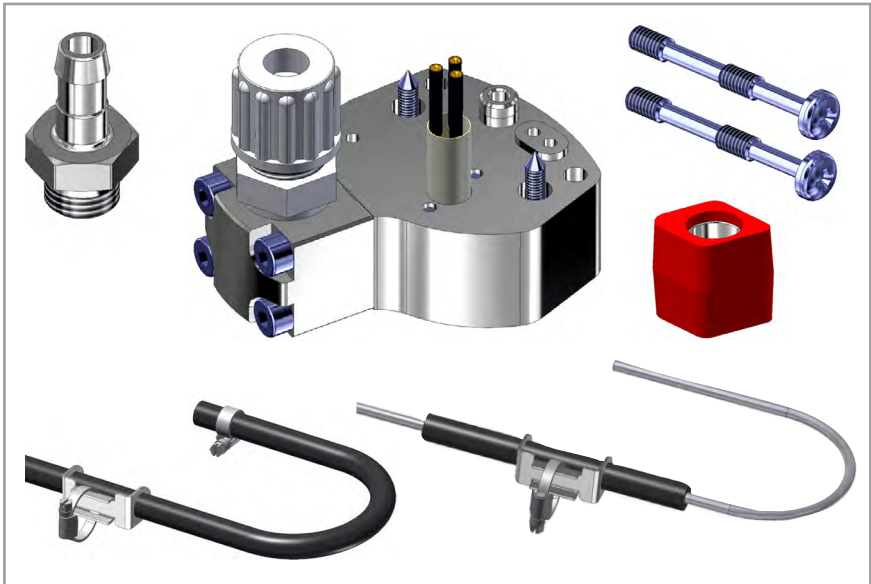


User Manual  
English

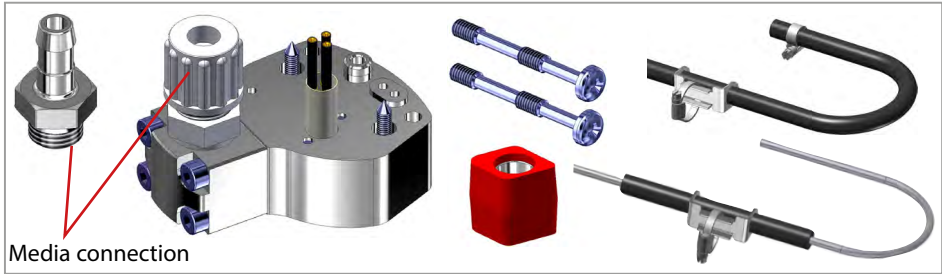
## ZU 0654/\* & ZU 0655/\* Adapters for Additional Media



The adapters are used for supplying additional media, e.g., hot water or steam, directly into the Ceramat WA1\*\* retractable fitting.

# ZU 0654/\* & ZU 0655/\*

## Package Contents



- ZU 0654/\* or ZU 0655/\* adapter
- Threaded coupling or hose nipple for media connection
- Silicone gasket with supporting tube
- Mounting screws (2 x)
- Media pressure hose (EPDM, DN8, reinforced) for version with hose nipple, or PTFE 8x1 hose for version with threaded coupling (approx. 5 m, not shown)

## Application

The adapter is used for supplying additional media, e.g., hot water or steam, directly into the Ceramat WA1\*\* retractable fitting. The adapter's media connection includes a check valve. An extended limit position cap takes the place of the existing limit position cap on the multi-plug (see following description).

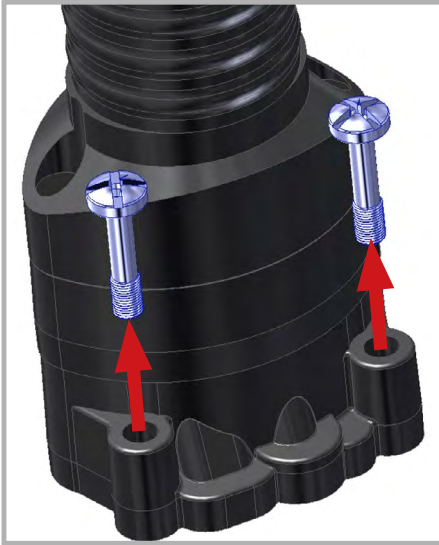
### ZU 0654/\* adapter for supplying hot water, steam, detergents etc.

Material	PEEK	
Pressure	Max. 8 bar	
Temperature	Max. 125 °C (10 mins at 140 °C)	
Media connection	G1/4 internal thread with DN8 hose nipple Alternatively, PFA coupling (for 8x1 hose)	
Gaskets	FKM (media connection PEEK hose nipple)	ZU 0654/1
	EPDM (media connection PEEK hose nipple)	ZU 0654/2
	FFKM (media connection PFA coupling)	ZU 0654/3

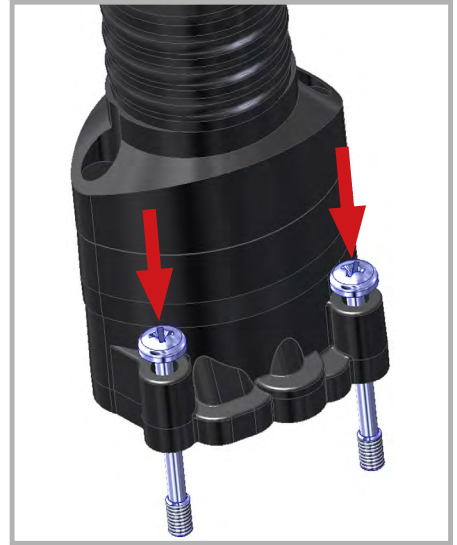
### ZU 0655/\* adapter for supplying hot water, steam etc.

Material	Stainless steel 1.4571	
Pressure	Max. 8 bar	
Temperature	Max. 125 °C (10 mins at 140 °C)	
Media connection	G1/4 internal thread with DN8 hose nipple Alternatively, PFA coupling (for 8x1 hose)	
Gaskets	FKM (media connection: 1.4571 stainless steel hose nipple)	ZU 0655/1
	EPDM (media connection: 1.4571 stainless steel hose nipple)	ZU 0655/2
	FFKM (media connection: PFA coupling)	ZU 0655/3

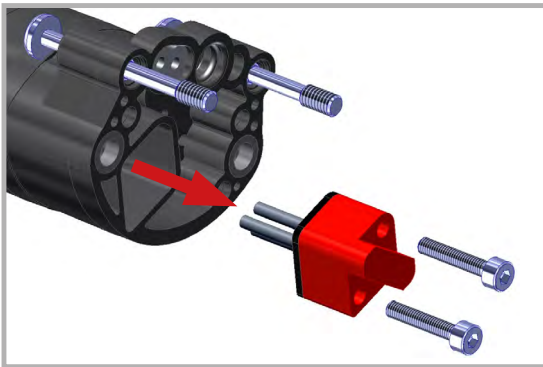
## Mounting



Remove the existing screws from the multiplug.

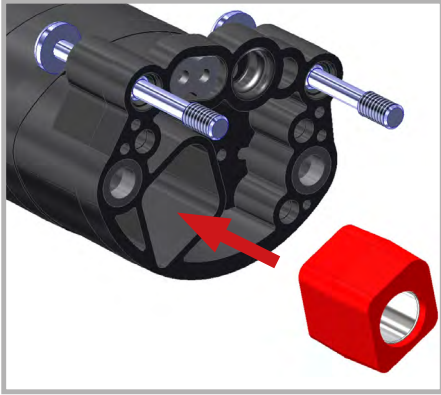


Screw the supplied screws fully into the multiplug.

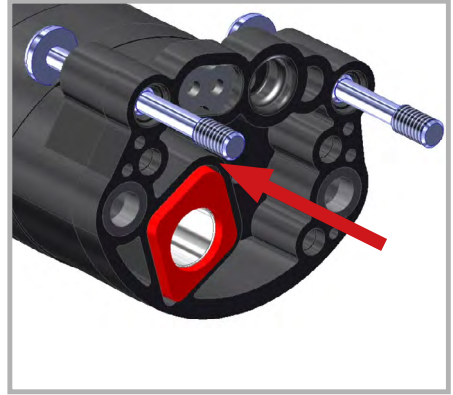


Remove the existing limit position cap.

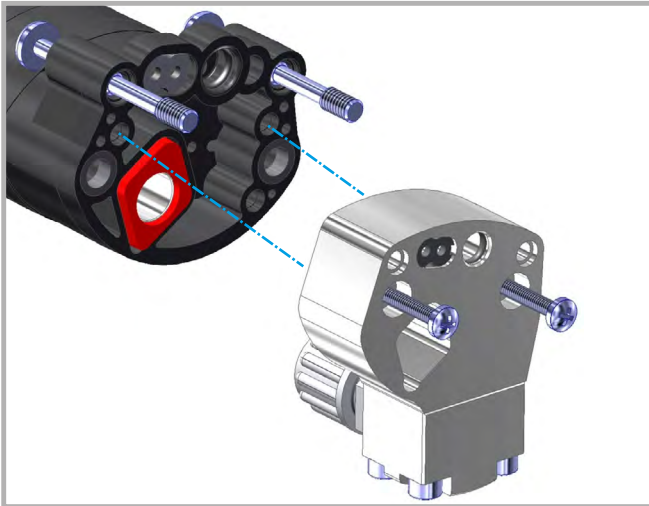
# ZU 0654/\* & ZU 0655/\*



Push the supplied silicone gasket (with mounted supporting tube) into the multiplug as shown.

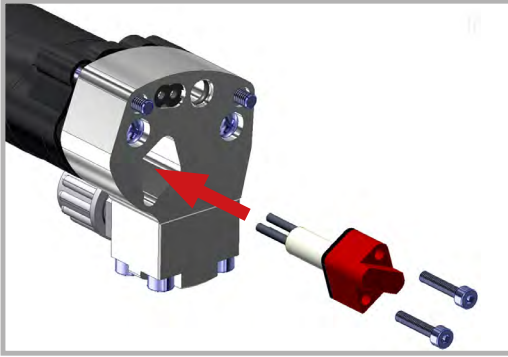


**NOTICE!** To ensure assembly in the correct position, make the large radius of the gasket coincide with the large radius in the multiplug.



Remove the pre-assembled extended limit position cap from the adapter.  
Screw the adapter to the multiplug as shown but do not fully tighten the screws. Stop the screwing procedure when a gap of approx. 1 mm has been reached.

# ZU 0654/\* & ZU 0655/\*



Now insert the extended limit position cap into the adapter as shown. The three contacts of the limit position cap must meet the contacts in the multiplug. On achieving the correct position, push the limit position cap further in and secure it with the screws. Now you can fully screw the adapter to the multiplug.



Screw the adapter with the multiplug to the Ceramat WA1\*\* retractable fitting.

# ZU 0654/\* & ZU 0655/\*

---



Push the EPDM DN8 media pressure hose over the connection nipple and secure it with the clamp.

Only for versions:

ZU0654/1

ZU0654/2

ZU0655/1

ZU0655/2



Install the 8x1 (PTFE) media pressure hose to the PFA coupling.

Only for versions:

ZU0654/3

ZU0655/3



Fasten the media pressure hose as shown using the bracket and clamp.



---

**Knick**

**Elektronische Messgeräte GmbH & Co. KG**

Beuckestr. 22  
14163 Berlin  
Germany

Phone: +49 30 80191-0  
Fax: +49 30 80191-200  
Email: [info@knick.de](mailto:info@knick.de)  
Web: [www.knick.de](http://www.knick.de)

TA-ZU0654/0655-KNE02

20170909



093457