

DIGITAL



SE670 Toroidal Conductivity Sensor

Digital toroidal conductivity sensor for measuring low to high conductivity.

The SE670 is a universal conductivity sensor with a compact size. The combination of a large sensor opening and dirt-repellent material prevents blockages and deposits in media with a high pollution degree. The inductive measuring principle enables the full galvanic isolation of the measurement from the medium.

An all-rounder, the sensor with a six-decade range is suitable for a multitude of applications.

Applications

Fresh water and wastewater technology; electroplating; photographic processes; air conditioning systems; cooling tower monitoring; company water treatment plants; salt, brine and general concentration monitoring; tanneries; mordant preparation; washing facilities; vehicle technology; flushing processes

Facts and Features

- Process-wetted material: PP
- Compact size
- Resistant to pollution and deposit formation
- Range of six decades
- Inductive measuring principle, full galvanic isolation of sensor coils from the process medium
- Digital data transmission
- Cable lengths up to 100 m

Specifications

Cell factor ^{*)}	Approx. 6.4/cm
Measuring range	0...2,000 mS/cm
Resolution	0.020 mS/cm
Measurement deviation	≤ 1 %
Temperature detector	Pt1000
Temperature response time	≤ 45 s
Process temperature	
Operation	0...60 °C (32...140 °F)
Short-term (max. 15 min)	0...100 °C (32...212 °F)
Process pressure	
At 20 °C (68 °F)	Max. 10 bar (145 psi)
At 60 °C (140 °F)	Max. 6 bar (87 psi)
Material	
Body	PP (polypropylene)
Temperature detector	Stainless steel 1.4571
Seal	FKM
Process connection	U1: PP coupling nut G 1½" C1: Dairy pipe screw joint DN 50
Measuring device terminal	M12 plug, 4-pin
Protection class	IP68

^{*)} Observe the user manual (field conditions).

SE670 Toroidal Conductivity Sensor

Product Line

SE670 conductivity sensor Coupling nut G 1½"
 Dairy pipe screw joint DN 50

SE670/U1
SE670/C1

Accessories

Digital cable with M12 socket

5 m
 10 m
 20 m*)

Order no.

CA/M12-005NA
CA/M12-010NA
CA/M12-020NA

Conductivity standard KCl 0.1 mol/l 12.88 mS/cm ± 1.5 %

250 ml

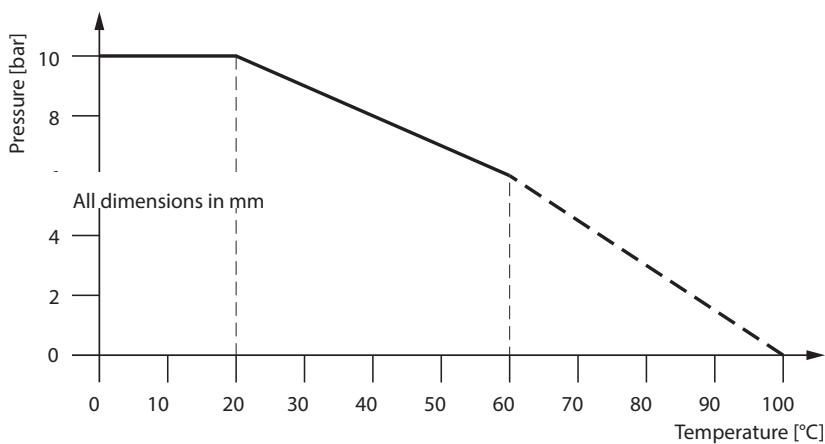
ZU0348

Calibration certificate

ZU0320

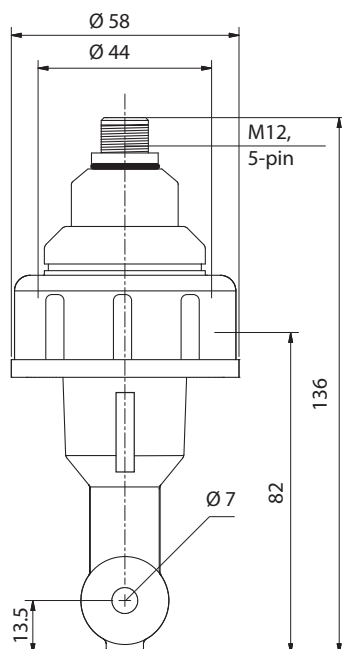
*) Longer lengths upon request (max. 100 m)

Pressure/Temperature Diagram

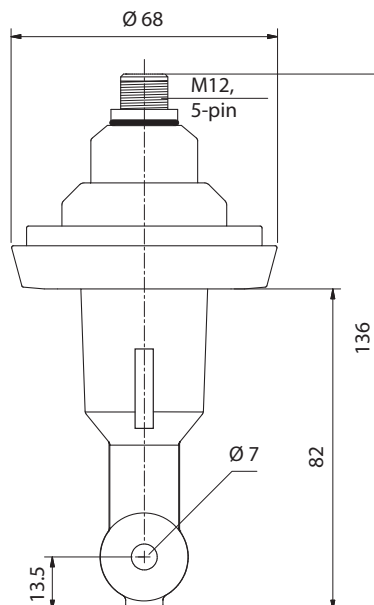


Dimension Drawing

SE670/U1
 Coupling nut G 1½" (PP)



SE670/C1
 Dairy pipe screw joint DN 50



All dimensions in mm