

ARI 106 (H) Inline Fitting

Inexpensive and robust inline fitting for 12-mm sensors, for chemical processes and hygienic applications

The modular concept allows adaptation to virtually every process. Replacement of components or expansion is possible at any time. Suitable for aggressive chemical processes as well as processes with hygienic requirements. pH sensors with polymer electrolyte or with refillable, pressurizable electrolyte can be used. Also accepts conductivity and oxygen sensors with 12 mm diameter. For operation in hazardous locations.

Applications

pH, conductivity, or oxygen measurement in chemical processes, in the pharmaceutical or food industry and in biotechnology

Facts and Features

- Adaptable to individual process conditions
- Modular design
- Material: steel or highly resistant plastic
- Suitable for chemical process media
- Suitable for hygienic applications
- CIP- and SIP-capable, autoclavable
- For pH sensors with polymer electrolyte
- For pH sensors with pressurizable liquid electrolyte
- For oxygen or conductivity sensors with PG 13.5 connection, 120 mm length, and 12 mm diameter
- Integrated sensor protection
- Suitable for hazardous locations

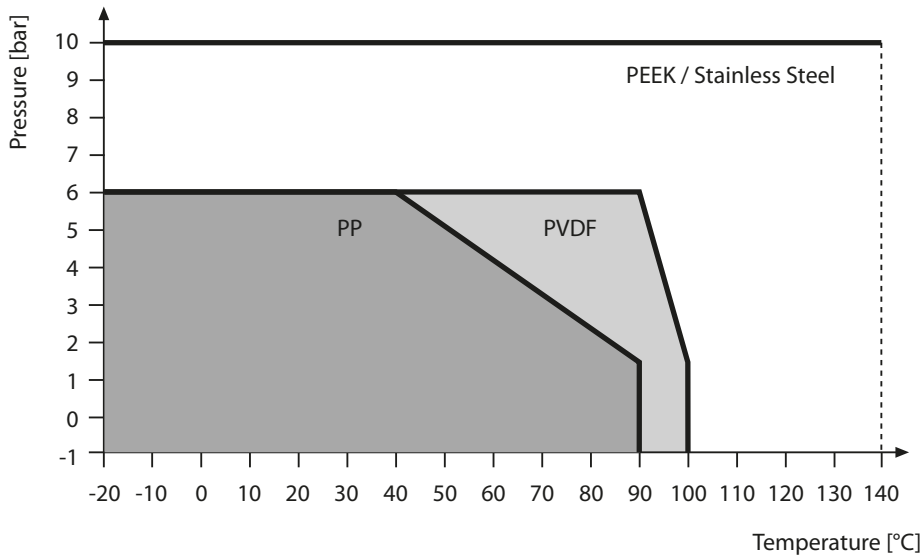
Specifications

Material	See product range
Process connection	See product range
Pressure	-1 ... 10 bar
Temperature	-20 ... 140 °C
Sensors (polymer electrolyte)	PG 13.5 Diameter: 12 mm Length: 120 mm
Sensors (liquid electrolyte)	Diameter: 12 mm Length: 120 mm e.g. SE 551/1 or SE 557/1-NMSN



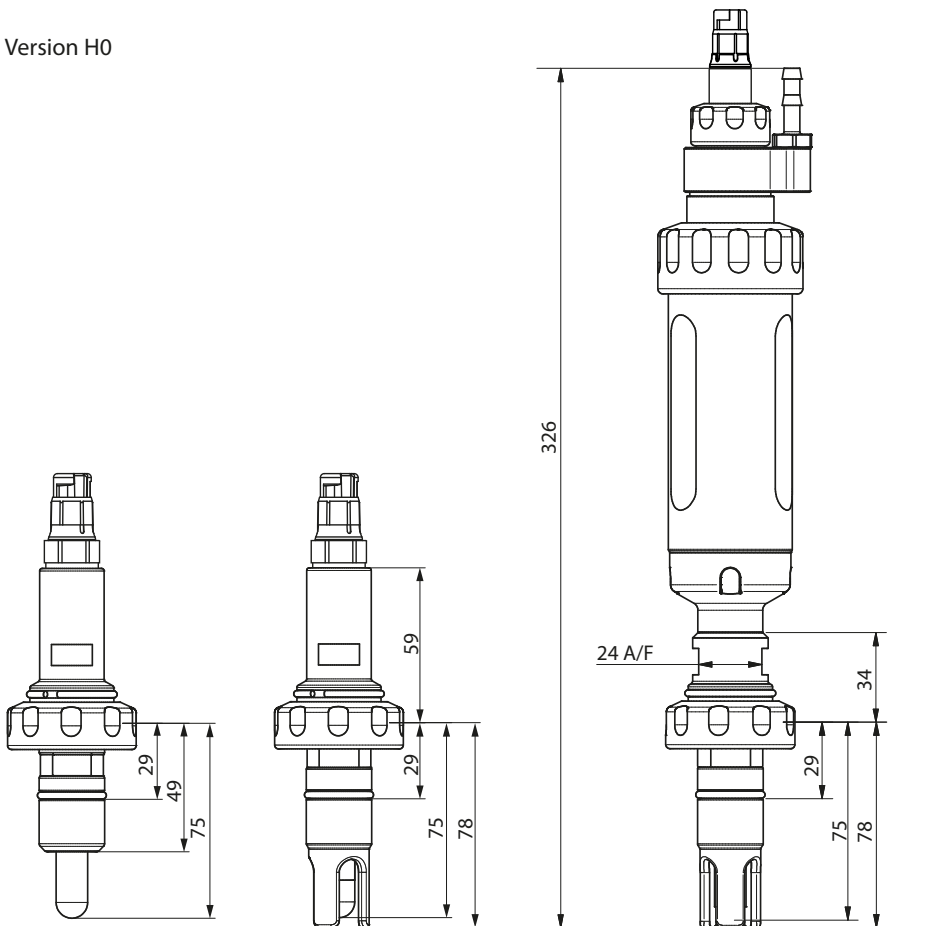
ARI 106 (H) Inline Fitting

Pressure/Temperature Diagram

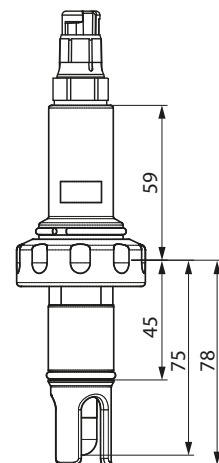


Dimension Drawings

Version H0



Version HZ



All dimensions in mm

ARI 106 Product Line

Process Inline Fitting		ARI 106 - N <input type="checkbox"/> <input type="checkbox"/> <input type="checkbox"/> <input type="checkbox"/> <input type="checkbox"/> <input type="checkbox"/> <input type="checkbox"/> <input type="checkbox"/> <input type="checkbox"/> <input type="checkbox"/> <input type="checkbox"/> <input type="checkbox"/> <input type="checkbox"/>																						
Sensor	Solid electrolyte Liquid electrolyte (pressurization possible) Liquid electrolyte (manual pressurization)	0 1 5	<input type="checkbox"/>	<input type="checkbox"/>	<input type="checkbox"/>	<input type="checkbox"/>	<input type="checkbox"/>	<input type="checkbox"/>	<input type="checkbox"/>	<input type="checkbox"/>	<input type="checkbox"/>	<input type="checkbox"/>	<input type="checkbox"/>	<input type="checkbox"/>	<input type="checkbox"/>	<input type="checkbox"/>	<input type="checkbox"/>	<input type="checkbox"/>	<input type="checkbox"/>	<input type="checkbox"/>	<input type="checkbox"/>	<input type="checkbox"/>	<input type="checkbox"/>	<input type="checkbox"/>
Gasket material	FKM EPDM FFKM Silicone	A B K T	<input type="checkbox"/>	<input type="checkbox"/>	<input type="checkbox"/>	<input type="checkbox"/>	<input type="checkbox"/>	<input type="checkbox"/>	<input type="checkbox"/>	<input type="checkbox"/>	<input type="checkbox"/>	<input type="checkbox"/>	<input type="checkbox"/>	<input type="checkbox"/>	<input type="checkbox"/>	<input type="checkbox"/>	<input type="checkbox"/>	<input type="checkbox"/>	<input type="checkbox"/>	<input type="checkbox"/>	<input type="checkbox"/>	<input type="checkbox"/>	<input type="checkbox"/>	<input type="checkbox"/>
Wetted body materials	PEEK / 1.4404 1.4435 / 1.4404 PVDF / 1.4404 PVDF / PVDF PP-H / 1.4404 PP-H / PP-H Ti / 1.4404 C22 / 1.4404	C H G D I K T B	<input type="checkbox"/>	<input type="checkbox"/>	<input type="checkbox"/>	<input type="checkbox"/>	<input type="checkbox"/>	<input type="checkbox"/>	<input type="checkbox"/>	<input type="checkbox"/>	<input type="checkbox"/>	<input type="checkbox"/>	<input type="checkbox"/>	<input type="checkbox"/>	<input type="checkbox"/>	<input type="checkbox"/>	<input type="checkbox"/>	<input type="checkbox"/>	<input type="checkbox"/>	<input type="checkbox"/>	<input type="checkbox"/>	<input type="checkbox"/>	<input type="checkbox"/>	<input type="checkbox"/>
Process connection	Ingold socket, 25 mm (G 1¼), 29.0 mm groove Ingold socket, 25 mm, 50 mm length, 45.0 mm groove	H 0 H Z	<input type="checkbox"/>	<input type="checkbox"/>	<input type="checkbox"/>	<input type="checkbox"/>	<input type="checkbox"/>	<input type="checkbox"/>	<input type="checkbox"/>	<input type="checkbox"/>	<input type="checkbox"/>	<input type="checkbox"/>	<input type="checkbox"/>	<input type="checkbox"/>	<input type="checkbox"/>	<input type="checkbox"/>	<input type="checkbox"/>	<input type="checkbox"/>	<input type="checkbox"/>	<input type="checkbox"/>	<input type="checkbox"/>	<input type="checkbox"/>	<input type="checkbox"/>	<input type="checkbox"/>
Immersion depth	Short	A	<input type="checkbox"/>	<input type="checkbox"/>	<input type="checkbox"/>	<input type="checkbox"/>	<input type="checkbox"/>	<input type="checkbox"/>	<input type="checkbox"/>	<input type="checkbox"/>	<input type="checkbox"/>	<input type="checkbox"/>	<input type="checkbox"/>	<input type="checkbox"/>	<input type="checkbox"/>	<input type="checkbox"/>	<input type="checkbox"/>	<input type="checkbox"/>	<input type="checkbox"/>	<input type="checkbox"/>	<input type="checkbox"/>	<input type="checkbox"/>	<input type="checkbox"/>	<input type="checkbox"/>
Probe guard	Without With	A B	<input type="checkbox"/>	<input type="checkbox"/>	<input type="checkbox"/>	<input type="checkbox"/>	<input type="checkbox"/>	<input type="checkbox"/>	<input type="checkbox"/>	<input type="checkbox"/>	<input type="checkbox"/>	<input type="checkbox"/>	<input type="checkbox"/>	<input type="checkbox"/>	<input type="checkbox"/>	<input type="checkbox"/>	<input type="checkbox"/>	<input type="checkbox"/>	<input type="checkbox"/>	<input type="checkbox"/>	<input type="checkbox"/>	<input type="checkbox"/>	<input type="checkbox"/>	<input type="checkbox"/>
Special variant	Without Chemically nickel-plated clamping spring ring	0 0 0 0 0 3	<input type="checkbox"/>	<input type="checkbox"/>	<input type="checkbox"/>	<input type="checkbox"/>	<input type="checkbox"/>	<input type="checkbox"/>	<input type="checkbox"/>	<input type="checkbox"/>	<input type="checkbox"/>	<input type="checkbox"/>	<input type="checkbox"/>	<input type="checkbox"/>	<input type="checkbox"/>	<input type="checkbox"/>	<input type="checkbox"/>	<input type="checkbox"/>	<input type="checkbox"/>	<input type="checkbox"/>	<input type="checkbox"/>	<input type="checkbox"/>	<input type="checkbox"/>	<input type="checkbox"/>
Certificates	Without Inspection Certificate 3.1 according to EN 10204	0 3	<input type="checkbox"/>	<input type="checkbox"/>	<input type="checkbox"/>	<input type="checkbox"/>	<input type="checkbox"/>	<input type="checkbox"/>	<input type="checkbox"/>	<input type="checkbox"/>	<input type="checkbox"/>	<input type="checkbox"/>	<input type="checkbox"/>	<input type="checkbox"/>	<input type="checkbox"/>	<input type="checkbox"/>	<input type="checkbox"/>	<input type="checkbox"/>	<input type="checkbox"/>	<input type="checkbox"/>	<input type="checkbox"/>	<input type="checkbox"/>	<input type="checkbox"/>	<input type="checkbox"/>

ARI 106 (H) Inline Fitting

ARI 106 H Product Line

Hygienic Inline Fitting		ARI 106H - N [] [] [] [] [] [] [] - [] [] [] / [] [] []																		
Sensor	Solid electrolyte	0																		
	Liquid electrolyte (pressurization possible)	1																		
	Liquid electrolyte (manual pressurization)	5																		
Gasket material	FKM FDA	F																		
	EPDM FDA	E																		
	FFKM FDA	H																		
	FKM FDA USP VI	V																		
	EPDM FDA USP VI	U																		
	FFKM FDA USP VI	W																		
	Silicone, FDA	T																		
Wetted body materials	PEEK / 1.4404		C																	
	1.4435 / 1.4404		H																	
	1.4539 / 1.4404		P																	
	PVDF / 1.4404		G																	
	PVDF / PVDF	0	D																	
Process connection	Ingold socket, 25 mm (G 1¼), 29.0 mm groove		H	0																
	Ingold socket, 25 mm, 50 mm length, 45.0 mm groove		H	Z																
Immersion depth	Short								A											
Probe guard	Without									A										
	With									B										
Special variant	Without									0	0	0								
	Chemically nickel-plated clamping spring ring									0	0	3								
										Order No.										
Certificates	Without																			0
	Inspection Certificate 3.1 according to EN 10204																			3
	FDA, USP VI																			U
	FDA																			F
	Surface Ra < 0.4 µm																			4
	Surface Ra < 0.8 µm																			8

Gaskets for ARI 106 (H)

Gaskets	Set	Contact (Process / Rinse Medium)	Order No.
	A	FKM	ZU 0971
	E	EPDM FDA	ZU 0935/E
	F	FKM FDA	ZU 0935/F
	H	FFKM FDA	ZU 0935/H
	K	FFKM	ZU 0969
	U	EPDM FDA USP VI	ZU 0907
	V	FKM FDA USP VI	ZU 0908
	W	FFKM FDA USP VI	ZU 0909

ARI 106 (H) Inline Fitting

Accessories for ARI 106 (H)

	Order No.	
HSD weld-in socket, straight, 40 mm	For tank wall	ZU 0922
	For pipe, DN 50	ZU 0922/DN50
	For pipe, DN 65	ZU 0922/DN65
	For pipe, DN 80	ZU 0922/DN80
	For pipe, DN 100	ZU 0922/DN100
HSD weld-in socket, beveled, 15°, 40 mm	For tank wall	ZU 0923
	For pipe, DN 50	ZU 0923/DN50
	For pipe, DN 65	ZU 0923/DN65
	For pipe, DN 80	ZU 0923/DN80
	For pipe, DN 100	ZU 0923/DN100
Safety weld-in socket, straight, 40 mm	For tank wall	ZU 0717
	For pipe, DN 50	ZU 0717/DN50
	For pipe, DN 65	ZU 0717/DN65
	For pipe, DN 80	ZU 0717/DN80
	For pipe, DN 100	ZU 0717/DN100
Safety weld-in socket, beveled, 15°, 40 mm	For tank wall	ZU 0718
	For pipe, DN 50	ZU 0718/DN50
	For pipe, DN 65	ZU 0718/DN65
	For pipe, DN 80	ZU 0718/DN80
	For pipe, DN 100	ZU 0718/DN100
Retainer clamp for ARI106(H)	ZU 1092	
Protective cap	ZU 0931	
Ingold to Varivent adapter	ZU 1063	
Inspection Certificate 3.1 according to EN 10204	ZU 0268/ARn	