

User Manual

SE660
Toroidal Conductivity Sensor

English..... 3

Deutsch..... 25



Read before installation.
Keep for future use.

www.knick.de



Table of Contents

English	3
Deutsch	25

SE660
Toroidal Conductivity Sensor



Read before installation.
Keep for future use.
Copyright 2021 • Subject to change • Version: 2
Published on May 28, 2021



Supplemental Directives

READ AND SAVE THIS DOCUMENT FOR FUTURE REFERENCE. BEFORE ATTEMPTING TO ASSEMBLE, INSTALL, OPERATE OR MAINTAIN THE PRODUCT, PLEASE ENSURE A COMPLETE UNDERSTANDING OF THE INSTRUCTIONS AND RISKS DESCRIBED HEREIN. ALWAYS OBSERVE ALL SAFETY INFORMATION. FAILURE TO COMPLY WITH INSTRUCTIONS IN THIS DOCUMENT COULD RESULT IN SERIOUS INJURY AND/OR PROPERTY DAMAGE. THIS DOCUMENT IS SUBJECT TO CHANGE WITHOUT NOTICE.



These supplemental directives explain how safety information is laid out in this document and what content it covers.

Safety Chapter

This document's safety chapter is designed to give the reader a basic understanding of safety. It illustrates general hazards and gives strategies on how to avoid them.

Warnings

This document uses the following warnings to indicate hazardous situations:

Symbol	Category	Meaning	Remark
	WARNING	Designates a situation that can lead to death or serious (irreversible) injury.	The warnings contain information on how to avoid the hazard.
	CAUTION	Designates a situation that can lead to slight or moderate (reversible) injury.	
<i>None</i>	NOTICE	Designates a situation that can lead to property or environmental damage.	

Symbols Used in this Document





Symbol	Meaning
	Reference to additional information
	Interim or final result in instructions for action
	Sequence of figures attached to an instruction for action
	Item number in a figure
(1)	Item number in text

Table of Contents

1 Safety	7
1.1 Intended Use	7
1.2 Personnel Requirements	7
1.3 Residual Risks	7
1.4 Hazardous Substances	8
2 Product	9
2.1 Package Contents	9
2.2 Nameplate	9
2.3 Design	10
2.4 Measuring Principle	10
3 Installation	11
3.1 General Installation Instructions	11
3.2 Sensor Installation	11
3.3 Installation ARF210/215 Flow-Through Fitting	12
3.4 Installation in Piping	13
3.5 Electrical Installation	14
3.5.1 General Information on Electrical Installation	14
3.5.2 Sensor Cable	14
3.5.3 Protos Analyzer Wiring	15
3.5.4 Stratos Analyzer Wiring	16
4 Operation, Cleaning, Calibration	17
4.1 Operation	17
4.2 Cleaning	17
4.3 Calibration	17
4.4 Product Calibration	18
5 Troubleshooting	19
6 Decommissioning	20
6.1 Removing the Sensor	20
6.2 Disposal	20

7 Dimension Drawings 21

8 Specifications 22

1 Safety

This document contains important instructions for the use of the product. Always follow all instructions and operate the product with caution. If you have any questions, please contact Knick Elektronische Messgeräte GmbH & Co. KG (sometimes hereafter referred to as "Knick") using the information provided on the back page of this document.

1.1 Intended Use

The SE660 sensor is used to measure the conductivity of liquids. The measurements are performed inductively.

The defined operating conditions must be observed when using this product.

→ *Specifications, p. 22*

The SE660 conductivity sensor is used in flowing process media.

1.2 Personnel Requirements

Customer shall ensure that any personnel using or otherwise interacting with the product is adequately trained and has been properly instructed.

The operating company shall comply and cause its personnel to comply with all applicable laws, regulations, codes, ordinances and relevant industry qualification standards related to product. Failure to comply with the foregoing shall constitute a violation of operating company's obligations concerning the product, including but not limited to an unintended use as described in this document.

1.3 Residual Risks

The product has been developed and manufactured in accordance with generally accepted safety rules and regulations. SE660 was subjected to a risk assessment. Nevertheless, not all risks can be sufficiently reduced; the following residual risks remain.

Environmental Influences

The effects of pressure, moisture, corrosion, chemicals, and ambient temperature can negatively impact on safe operation of the product.

Observe the following instructions:

- Only operate the SE660 in compliance with the stated operating conditions.
→ *Specifications, p. 22*
- If using chemically aggressive process media, regularly check the SE660 sensor for damage.

- Adhering and sticky process media may interfere with measurements. Regularly remove adherents. As required, recalibrate the SE660 sensor. → *Cleaning, p. 17*
→ *Calibration, p. 17*

1.4 Hazardous Substances

In certain situations (e.g., sensor replacement), personnel may come into contact with the following hazardous substances:

- Process medium
- Cleaning medium

This document specifies the personal protective equipment that needs to be used when carrying out handling instructions.

The operating company is responsible for conducting a hazard assessment.

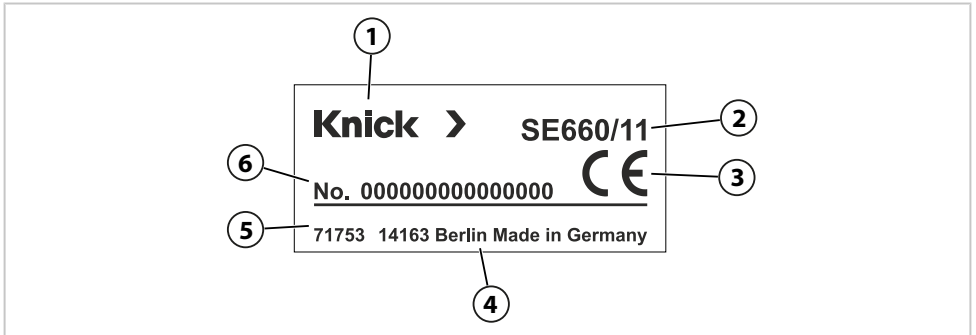
See the relevant manufacturers' safety data sheets for hazard and safety instructions on handling hazardous substances.

2 Product

2.1 Package Contents

- SE660 sensor
- User Manual

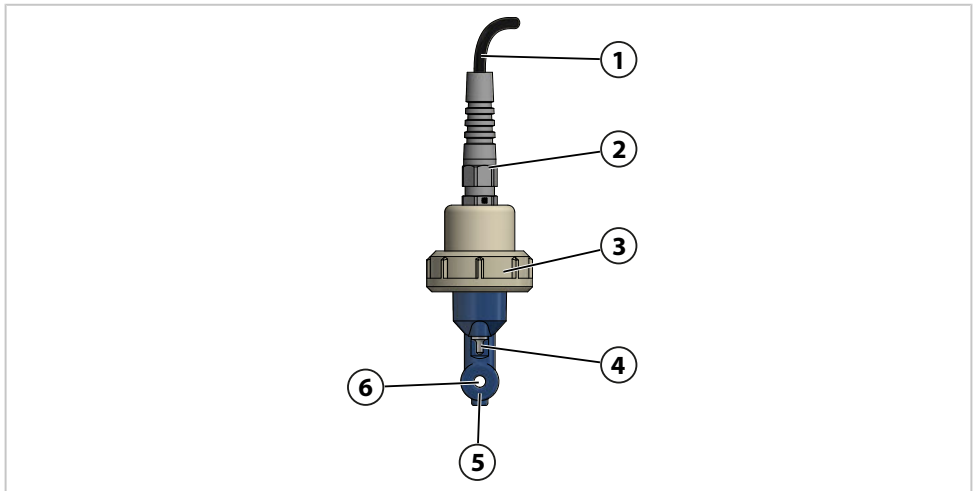
2.2 Nameplate



1	Manufacturer	4	Manufacturer's address with designation of origin
2	Type	5	Manufacturer's part number
3	CE mark	6	Serial number

2.3 Design

The SE660 sensor contains two measuring coils (primary and secondary coils) and a temperature detector. The measuring coils are fully encased in polypropylene (PP) and thus galvanically isolated from the process medium. The temperature measured by the temperature detector (exposed stainless steel sleeve) is used for temperature compensation of the determined conductivity. The process medium flows through and around the flow-through openings of the sensor coils. The sensor is attached to a flow-through fitting or piping using the coupling nut and is connected to the power using the fixed cable.



1	Cable	4	Temperature detector
2	Anti-kink sleeve	5	Measuring coils (primary coil, secondary coil)
3	Coupling nut	6	Flow-through opening

2.4 Measuring Principle

Inductive, contactless conductivity measurements involve an oscillator in the primary coil generating an alternating magnetic field. This induces current flow in the process medium, whereby the current intensity is dependent on the concentration of charge carriers (ions) in the process medium. The current flow in the process medium generates a magnetic field in the secondary coil. Conductivity is then determined in the analyzer from the resulting induced current.

Note: Keep the flow-through opening free of deposits. → *Cleaning, p. 17*

3 Installation

3.1 General Installation Instructions

The sensor is designed for use with a process analyzer (e.g., Protos or Stratos). The SE660 is used in

- Flow-through fittings
- Piping
- Bypass systems

Note: More information on Knick process analyzers can be found at www.knick.de.

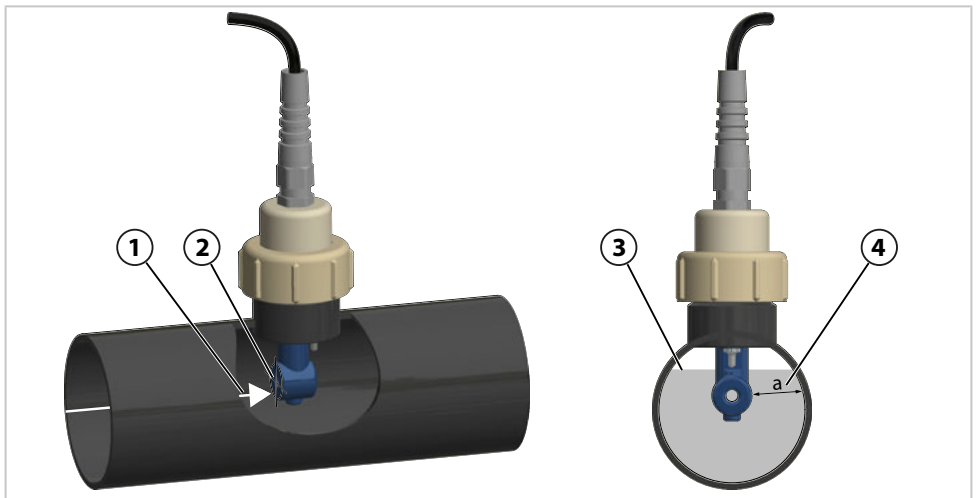
3.2 Sensor Installation

The following conditions apply when installing the SE660 sensor:

- Align the flow-through opening with the process medium's direction of flow.
- Check the immersion depth of the measuring coils. They must be fully wetted by the process medium.
- Maintain a minimum distance of 30 mm from the pipe wall.

Note: If the minimum distance is not adhered to, perform a product calibration.

→ *Product Calibration, p. 18*

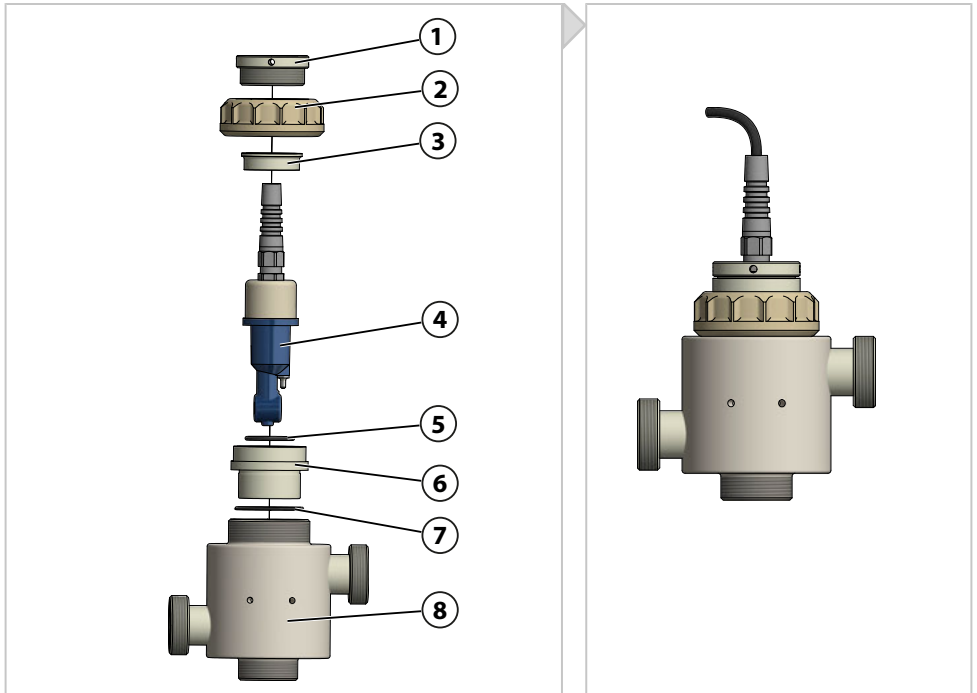


- | | |
|---|-----------------------------------|
| 1 | Process medium direction of flow |
| 2 | Alignment of flow-through opening |

- | | |
|---|--|
| 3 | Level of process medium |
| 4 | Minimum distance from pipe wall
$a = 30 \text{ mm}$ |

3.3 Installation ARF210/215 Flow-Through Fitting

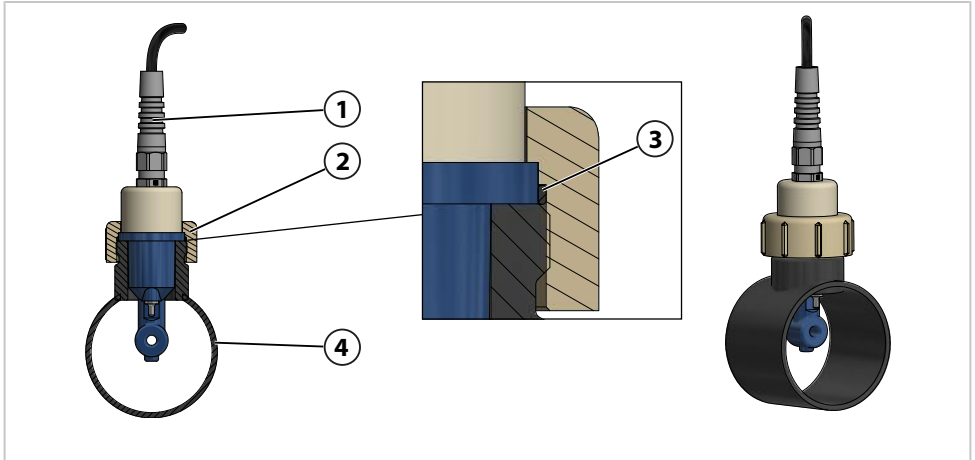
⚠ CAUTION! Process medium, potentially containing hazardous substances, may escape from the flow-through fitting or piping. Prior to installing, replacing, or removing the sensor, depressurize or drain off the process medium if necessary.



01. Check the SE660 sensor **(4)** for damage.
02. Fit the 33 x 3.5 mm O-ring **(5)** on the inside and the 48 x 3 mm O-ring **(7)** on the outside of the adapter **(6)**.
03. Fit the sensor **(4)** and compression ring **(3)** in the adapter **(6)**.
04. Fit the pre-assembled components in the flow-through fitting **(8)** and fasten them finger tight with the coupling nut **(2)**.
05. Insert the pressure screw **(1)** and screw it tight with a size 58-62 hook wrench.
06. Test for leaks.
 - ✓ The SE660 sensor is mechanically installed.

3.4 Installation in Piping

⚠ CAUTION! Process medium, potentially containing hazardous substances, may escape from the flow-through fitting or piping. Prior to installing, replacing, or removing the sensor, depressurize or drain off the process medium if necessary.



01. Check the SE660 sensor for damage.
02. Check the distance to the pipe wall. As required, calibrate the sensor.
→ *Calibration, p. 17*
03. Fit the sensor **(1)** and O-ring 45 x 3 mm **(3)** in the pipe socket **(4)**.
04. Fasten the coupling nut **(2)** finger tight.
05. Test for leaks.
✓ The SE660 sensor is mechanically installed.

3.5 Electrical Installation

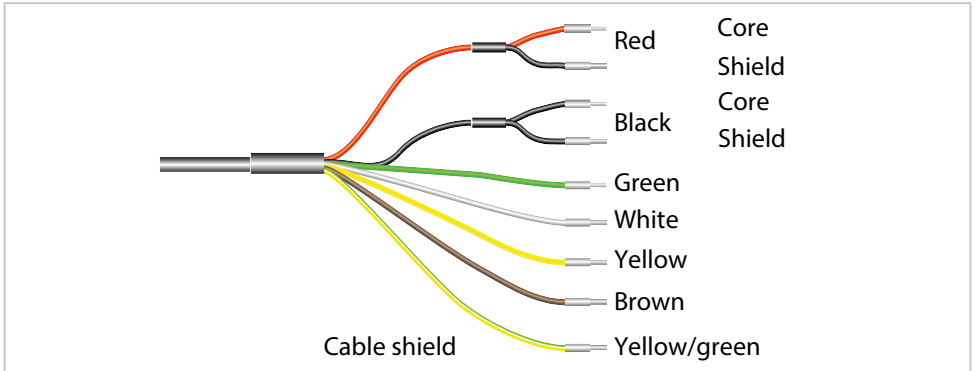
3.5.1 General Information on Electrical Installation

The SE660 sensor is connected to the measuring module of a process analyzer in the Stratos or Protos series.

Note: More information on Knick process analyzers can be found at www.knick.de.

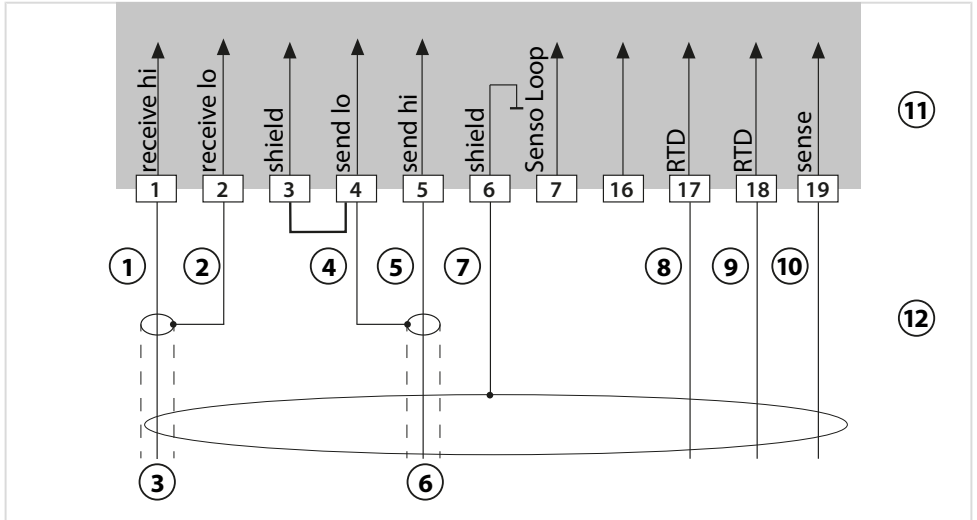
3.5.2 Sensor Cable

Note: Do not connect the brown wires.



3.5.3 Protos Analyzer Wiring

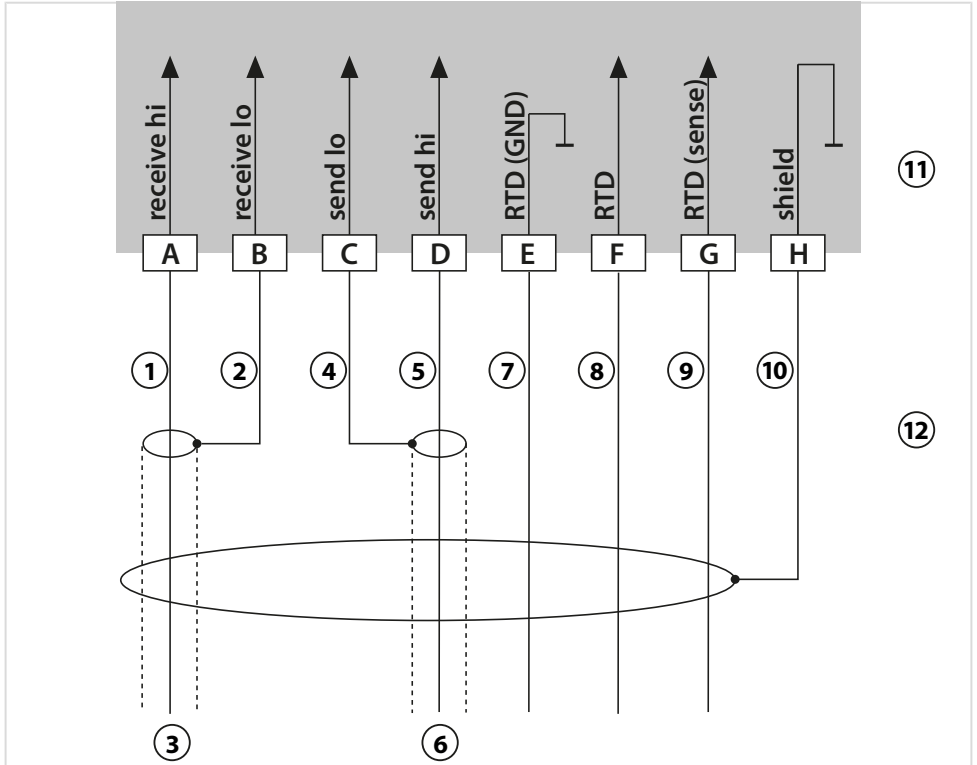
CONDI3400-051 measuring module



1	Core	7	Shield green/yellow
2	Shield	8	Green
3	Coax red	9	White
4	Shield	10	Yellow
5	Core	11	CONDI3400-051 measuring module
6	Coax BK	12	Cable

3.5.4 Stratos Analyzer Wiring

MK-CONDI035N measuring module



1	Core	7	Green
2	Shield	8	White
3	Coax red	9	Yellow
4	Shield	10	Shield green/yellow
5	Core	11	MK-CONDI035N measuring module
6	Coax BK	12	Cable

4 Operation, Cleaning, Calibration

4.1 Operation

The SE660 sensor is operated and controlled via an industrial transmitter in the Protos or Stratos series.

Operation of the SE660 sensor is maintenance-free.

In the event of heavy deposits or measurement fluctuations, clean the sensor and calibrate it if necessary.

Note: Check the wiring in the industrial transmitter. The transmitters are wired differently. → *Protos Analyzer Wiring, p. 15* → *Stratos Analyzer Wiring, p. 16*

Note: More information on Knick process analyzers can be found at www.knick.de.

4.2 Cleaning

In the event of heavy deposits, clean the SE660 sensor.

01. Soak and partially dissolve deposits, e.g., with water or diluted hydrochloric acid.
02. Remove deposits using a soft brush.
03. Rinse the sensor in water and dry it.

4.3 Calibration

In the event of large measurement fluctuations, calibrate the SE660 sensor.

▲ CAUTION! Process medium, potentially containing hazardous substances, may escape from the flow-through fitting or piping. Prior to installing, replacing, or removing the sensor, depressurize or drain off the process medium if necessary.

01. Remove the sensor.
02. Clean, rinse off, and dry the sensor. → *Cleaning, p. 17*
03. Fill the calibration beaker with Knick CS-C12880K/500 calibration solution.

Note: Use the Knick flow-through fitting calibration beaker. More information at www.knick.de. If using other calibration beakers, check the distance between the sensor and the wall of the beaker (> 30 mm).

04. Immerse the sensor in the calibration solution.
05. Perform and complete calibration with the industrial transmitter.

Note: More information on Knick process analyzers can be found at www.knick.de.

4.4 Product Calibration

During product calibration, the SE660 sensor remains in the flow-through fitting or piping. If required, clean the SE660 sensor prior to calibration. → *Cleaning, p. 17*

▲ CAUTION! Process medium, potentially containing hazardous substances, may escape from the flow-through fitting or piping. Prior to installing, replacing, or removing the sensor, depressurize or drain off the process medium if necessary.

01. Take a sample from the process medium.
02. Perform a reference measurement in the laboratory, paying attention to the temperature.
03. Enter the lab values in the industrial transmitter.
04. End calibration mode in the industrial transmitter.

Note: More information on Knick process analyzers can be found at www.knick.de.

5 Troubleshooting

Malfunction state	Possible causes	Remedy
Fluctuating measurement display	Deposits on sensor	Clean and calibrate sensor. → <i>Cleaning</i> , p. 17 → <i>Calibration</i> , p. 17
	Flow-through opening not aligned with direction of flow	Align sensor.
No display of measured values	Sensor defective	Replace sensor.
	Measuring module wiring or sensor cable defective	Check wiring; replace sensor if necessary.

6 Decommissioning

6.1 Removing the Sensor

⚠ CAUTION! Process medium, potentially containing hazardous substances, may escape from the flow-through fitting or piping. Prior to installing, replacing, or removing the sensor, depressurize or drain off the process medium if necessary.

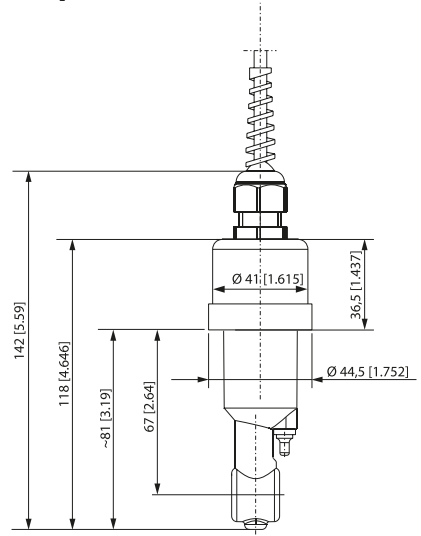
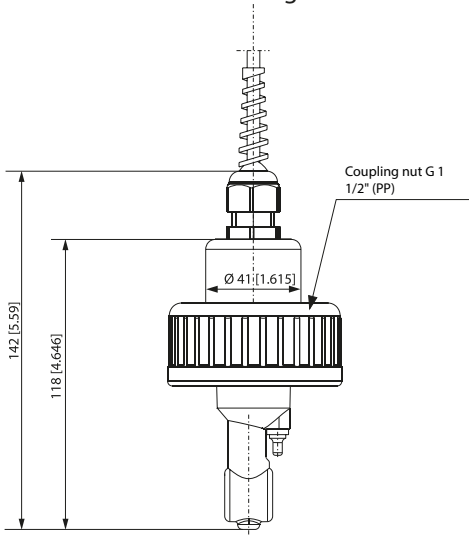
01. Release the sensor. If required, remove the sensor adapter.
02. Disconnect the sensor cable from the measuring module.
03. Seal off the process port appropriately.

6.2 Disposal

The local codes and regulations must be observed when disposing of the product.

7 Dimension Drawings

Note: All dimensions are given in millimeters [inches].

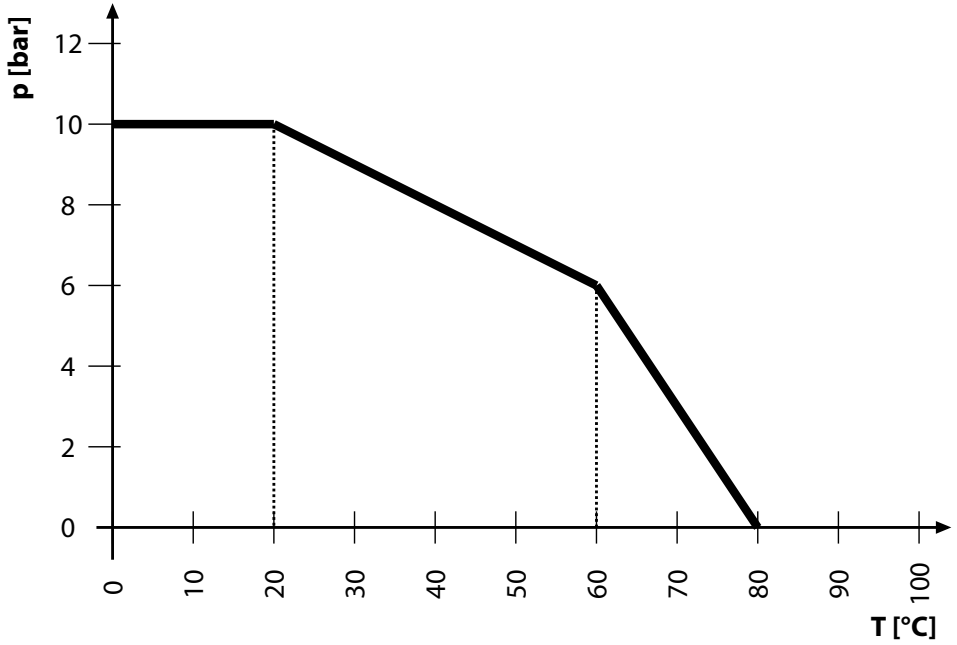


8 Specifications

Cell factor¹⁾ (applies to a distance between the sensor and wall of the flow-through fitting/pipe of > 30 mm)	approx. 6.4 /cm
Sensor coding	70031
Transfer ratio	25
Measuring range	0 ... 2000 mS/cm
Resolution	0.020 mS/cm
Measurement error	≤ 1 %
Temperature response time	≤ 6 s
Process temperature	
Operation	0 ... 60 °C
Short-time	0 ... 100 °C
Process pressure	
at 20 °C	max. 10 bar
at 60 °C	max. 6 bar
Temperature detector	Pt1000
Material	
Body	PP (polypropylene)
Temperature detector	Stainless steel 1.4571
Gasket	FKM
Process connection	PP coupling nut G 1½"
Cable length	
SE660/11	5 m (fixed cable)
Dimensions	See dimension drawing
Weight	Approx. 1 kg
Protection	IP68

¹⁾ In the event of a distance between the sensor and beaker/pipe wall of < 30 mm, perform a product calibration and recalculate the cell factor.

Pressure-Temperature Diagram



Betriebsanleitung

SE660

Induktiver Leitfähigkeitssensor



Vor Installation lesen.
Für künftige Verwendung aufbewahren.
Copyright 2021 • Änderungen vorbehalten • Version: 2
Veröffentlicht am 28.05.2021

www.knick.de



Ergänzende Hinweise

Lesen Sie dieses Dokument und bewahren Sie es für künftige Verwendung auf. Stellen Sie bitte vor der Montage, der Installation, dem Betrieb oder der Instandhaltung des Produkts sicher, dass Sie die hierin beschriebenen Anweisungen und Risiken vollständig verstehen. Befolgen Sie unbedingt alle Sicherheitshinweise. Die Nichteinhaltung von Anweisungen in diesem Dokument kann schwere Verletzungen von Personen und/oder Sachschäden zur Folge haben. Dieses Dokument kann ohne Vorankündigung geändert werden.



Die folgenden ergänzenden Hinweise erläutern die Inhalte und den Aufbau von sicherheitsrelevanten Informationen in diesem Dokument.

Sicherheitskapitel





Im Sicherheitskapitel dieses Dokuments wird ein grundlegendes Sicherheitsverständnis aufgebaut. Es werden allgemeine Gefährdungen aufgezeigt und Strategien zu deren Vermeidung gegeben.

Warnhinweise

In diesem Dokument werden folgende Warnhinweise verwendet, um auf Gefährdungssituationen hinzuweisen:

Symbol	Kategorie	Bedeutung	Bemerkung
	WARNUNG!	Kennzeichnet eine Situation, die zum Tod oder schweren (irreversiblen) Verletzungen von Personen führen kann.	Informationen zur Vermeidung der Gefährdung werden in den Warnhinweisen angegeben.
	VORSICHT!	Kennzeichnet eine Situation, die zu leichten bis mittelschweren (reversiblen) Verletzungen von Personen führen kann.	
<i>ohne</i>	ACHTUNG!	Kennzeichnet eine Situation, die zu Sach- und Umweltschäden führen kann.	

Verwendete Symbole in diesem Dokument

Symbol	Bedeutung
	Querverweis auf weiterführenden Inhalt
	Zwischen- oder Endergebnis in einer Handlungsanweisung
	Ablaufrichtung in Abbildungen einer Handlungsanweisung
	Positionsnummer in einer Abbildung
(1)	Positionsnummer im Text

Inhaltsverzeichnis

1	Sicherheit.....	29
1.1	Bestimmungsgemäßer Gebrauch.....	29
1.2	Anforderungen an das Personal.....	29
1.3	Restrisiken.....	29
1.4	Gefahrstoffe.....	30
2	Produkt.....	31
2.1	Lieferumfang.....	31
2.2	Typschild.....	31
2.3	Aufbau.....	31
2.4	Messprinzip.....	32
3	Installation.....	33
3.1	Allgemeine Installationshinweise.....	33
3.2	Sensoreinbau.....	33
3.3	Installation in Durchflussarmatur ARF210/215.....	34
3.4	Installation in Rohrleitung.....	35
3.5	Elektrische Installation.....	36
3.5.1	Allgemeine Hinweise zur elektrischen Installation.....	36
3.5.2	Sensorkabel.....	36
3.5.3	Beschaltung Analysenmessgerät Protos.....	37
3.5.4	Beschaltung Analysenmessgerät Stratos.....	38
4	Betrieb, Reinigung und Kalibrierung.....	39
4.1	Betrieb.....	39
4.2	Reinigung.....	39
4.3	Kalibrierung.....	39
4.4	Produktkalibrierung.....	40
5	Störungsbehebung.....	41
6	Außerbetriebnahme.....	42
6.1	Sensorausbau.....	42
6.2	Entsorgung.....	42

7	Maßzeichnungen	43
8	Technische Daten	44

1 Sicherheit

Dieses Dokument enthält wichtige Anweisungen für den Gebrauch des Produkts. Befolgen Sie diese immer genau und betreiben Sie das Produkt mit Sorgfalt. Bei allen Fragen steht die Knick Elektronische Messgeräte GmbH & Co. KG (nachstehend auch als „Knick“ bezeichnet) unter den auf der Rückseite dieses Dokuments angegebenen Kontaktdaten zur Verfügung.

1.1 Bestimmungsgemäßer Gebrauch

Der Sensor SE660 dient der Messung der Leitfähigkeit von Flüssigkeiten. Die Messung erfolgt induktiv.

Der Gebrauch des Produkts ist nur zulässig, wenn die angegebenen Betriebsbedingungen eingehalten werden. → *Technische Daten, S. 44*

Der Leitfähigkeitssensor SE660 wird eingesetzt in bewegten Prozessmedien.

1.2 Anforderungen an das Personal

Der Kunde muss sicherstellen, dass Mitarbeiter, die das Produkt verwenden oder anderweitig damit umgehen, ausreichend ausgebildet sind und ordnungsgemäß eingewiesen wurden.

Der Betreiber muss sich an alle das Produkt betreffenden anwendbaren Gesetze, Vorschriften, Verordnungen und relevanten Qualifikationsstandards der Branche halten und dafür Sorge tragen, dass auch seine Mitarbeiter dies tun. Die Nichteinhaltung der vorgenannten Bestimmungen stellt eine Pflichtverletzung durch den Betreiber in Bezug auf das Produkt dar. Das gilt unter anderem, jedoch nicht ausschließlich, bei nicht bestimmungsgemäßem Gebrauch des Produkts gemäß diesem Dokument.

1.3 Restrisiken

Das Produkt ist nach den anerkannten sicherheitstechnischen Regeln der Technik entwickelt und gefertigt. SE660 wurde einer Risikobeurteilung unterzogen. Dennoch können nicht alle Risiken hinreichend vermindert werden und es bestehen folgende Restrisiken.

Umgebungseinflüsse

Die Einwirkungen von Druck, Feuchtigkeit, Korrosion und Chemikalien sowie die Umgebungstemperatur können den sicheren Betrieb des Produkts beeinflussen.

Folgende Hinweise beachten:

- Den SE660 nur unter Einhaltung der angegebenen Betriebsbedingungen betreiben. → *Technische Daten, S. 44*
- Bei chemisch aggressiven Prozessmedien den Sensor SE660 regelmäßig auf Beschädigungen prüfen.

- Anhaftende und klebrige Prozessmedien können die Messungen beeinträchtigen. Anhaftungen regelmäßig entfernen. Ggf. Sensor SE660 neu kalibrieren.
→ *Reinigung, S. 39* → *Kalibrierung, S. 39*

1.4 Gefahrstoffe

In bestimmten Situationen (z. B. Sensortausch) kann das Fachpersonal mit folgenden Gefahrstoffen in Kontakt kommen:

- Prozessmedium
- Reinigungsmedium

Der Betreiber hat die Verfügbarkeit der erforderlichen persönlichen Schutzausrüstung sicherzustellen.

Der Betreiber ist für die Durchführung einer Gefährdungsbeurteilung verantwortlich.

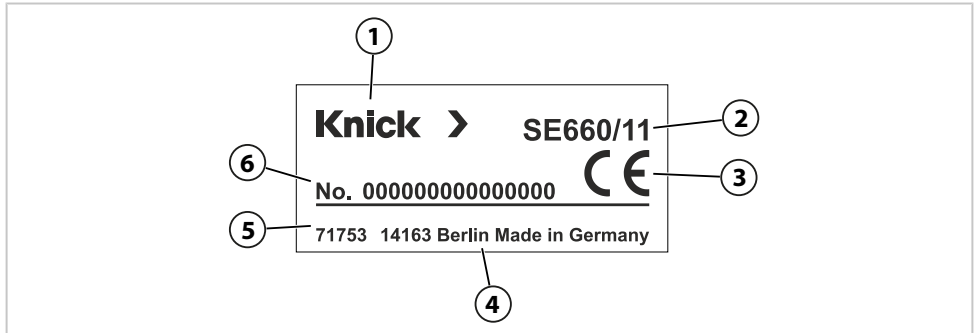
Gefahren- und Sicherheitshinweise im Umgang mit Gefahrstoffen sind in den zugehörigen Sicherheitsdatenblättern der Hersteller verfügbar.

2 Produkt

2.1 Lieferumfang

- Sensor SE660
- Betriebsanleitung

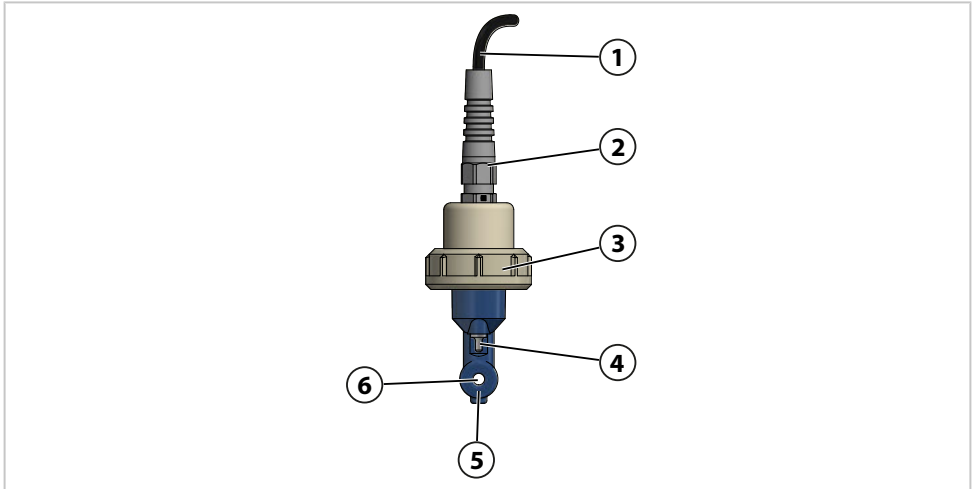
2.2 Typschild



1	Hersteller	4	Anschrift des Herstellers mit Herkunftsbezeichnung
2	Typ	5	Artikelnummer des Herstellers
3	CE-Kennzeichnung	6	Seriennummer

2.3 Aufbau

Der Sensor SE660 enthält zwei Messspulen (Sendespule und Empfangsspule) und einen Temperaturfühler. Die Messspulen sind mit Polypropylen (PP) vollummantelt und dadurch galvanisch vom Messmedium getrennt. Die mit dem Temperaturfühler (freilie-gende Edelstahlhülse) gemessene Temperatur dient zur Temperaturkompensation der ermittelten Leitfähigkeit. Das Messmedium fließt durch die Durchströmungsöffnung der Sensorspulen und um diese herum. Der Sensor wird mit der Überwurfmutter an einer Durchflussarmatur oder Rohrleitung befestigt und über das festinstallierte Kabel angeschlossen.



1	Kabel	4	Temperaturfühler
2	Knickschutz	5	Messspulen (Sendespule, Empfangsspule)
3	Überwurfmutter	6	Durchströmungsöffnung

2.4 Messprinzip

Bei der induktiven, berührungslosen Leitfähigkeitsmessung wird mittels eines Oszillators in der Sendespule ein wechselndes Magnetfeld erzeugt. Dieses induziert im Messmedium einen Stromfluss, wobei die Stromstärke von der Konzentration vorhandener Ladungsträger (Ionen) im Messmedium abhängt. Dieser Stromfluss im Messmedium erzeugt ein Magnetfeld in der Empfangsspule. Aus dem daraus resultierenden Induktionsstrom wird im Analysenmessgerät die Leitfähigkeit bestimmt.

Hinweis: Die Durchströmungsöffnung von Ablagerungen freihalten.

→ *Reinigung, S. 39*

3 Installation

3.1 Allgemeine Installationshinweise

Der Sensor ist für den Betrieb mit einem Analysenmessgerät (z. B. Protos oder Stratos) entwickelt. Eingesetzt wird der Sensor SE660 in:

- Durchflussarmaturen,
- Rohrleitungen oder
- Bypass-Systemen.

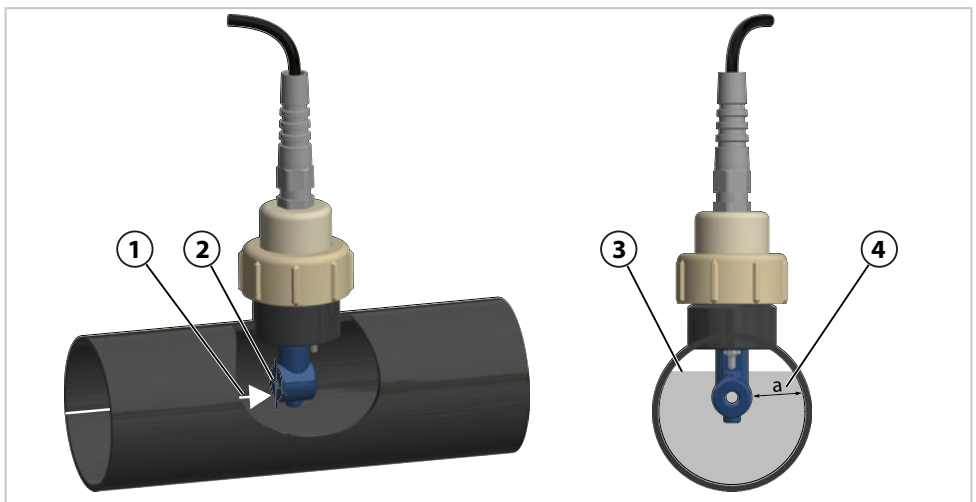
Hinweis: Weitere Informationen zu Knick-Analysenmessgeräten sind auf www.knick.de verfügbar.

3.2 Sensoreinbau

Beim Einbau des Sensors SE660 gelten folgende Bedingungen:

- Die Durchströmungsöffnung zur Fließrichtung des Messmediums ausrichten.
- Auf die Eintauchtiefe der Messspulen achten! Die Messspulen müssen vollständig vom Prozessmedium umspült sein.
- Einen Mindestabstand zur Rohrwand von 30 mm einhalten.

Hinweis: Wenn der Mindestabstand nicht eingehalten wird, ist eine Produktkalibrierung durchzuführen. → *Produktkalibrierung, S. 40*

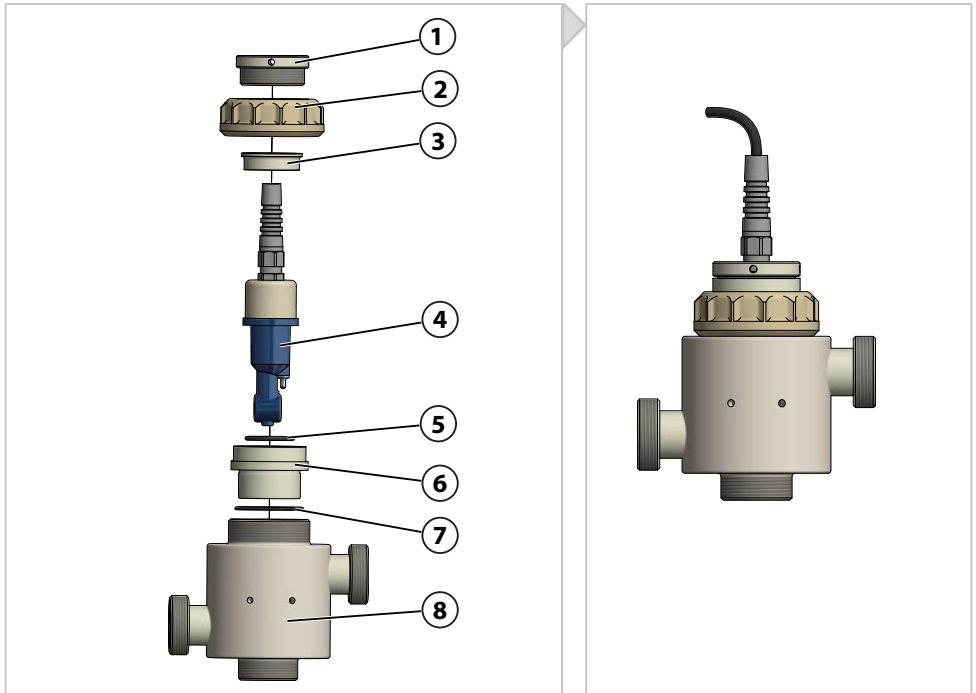


1 Fließrichtung des Prozessmediums
2 Ausrichtung der Durchströmungsöffnung

3 Höhe des Prozessmediums
4 Mindestabstand zur Rohrwand
 $a = 30 \text{ mm}$

3.3 Installation in Durchflussarmatur ARF210/215

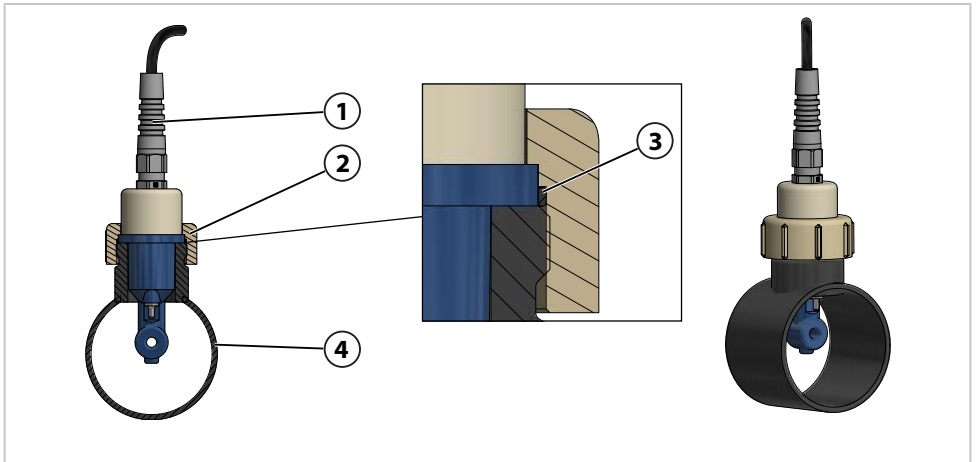
⚠ VORSICHT! Prozessmedium kann aus der Durchflussarmatur oder Rohrleitung austreten und Gefahrstoffe enthalten. Vor Einbau, Austausch oder Ausbau des Sensors das Prozessmedium ablassen, ggf. drucklos schalten.



01. Sensor SE660 **(4)** auf Beschädigungen prüfen.
02. O-Ring 33 x 3,5 mm **(5)** innen und O-Ring 48 x 3 mm **(7)** außen auf Adapter **(6)** stecken.
03. Sensor **(4)** und Druckring **(3)** in Adapter **(6)** stecken.
04. Vormontierte Bauteile in die Durchflussarmatur **(8)** stecken und mit Überwurfmutter **(2)** handfest verschrauben.
05. Druckschraube **(1)** einsetzen und mit Hakenschlüssel Gr. 58-62 fest verschrauben.
06. Dichtheit prüfen.
 - ✓ Sensor SE660 ist mechanisch installiert.

3.4 Installation in Rohrleitung

⚠ VORSICHT! Prozessmedium kann aus der Durchflussarmatur oder Rohrleitung austreten und Gefahrstoffe enthalten. Vor Einbau, Austausch oder Ausbau des Sensors das Prozessmedium ablassen, ggf. drucklos schalten.



01. Sensor SE660 auf Beschädigungen prüfen.
02. Abstand zur Rohrwand prüfen. Ggf. Sensor kalibrieren. → *Kalibrierung, S. 39*
03. Sensor **(1)** und O-Ring 45 x 3 mm **(3)** in Rohrstützen **(4)** stecken.
04. Überwurfmutter **(2)** handfest verschrauben.
05. Dichtheit prüfen.
 - ✓ Sensor SE660 ist mechanisch installiert.

3.5 Elektrische Installation

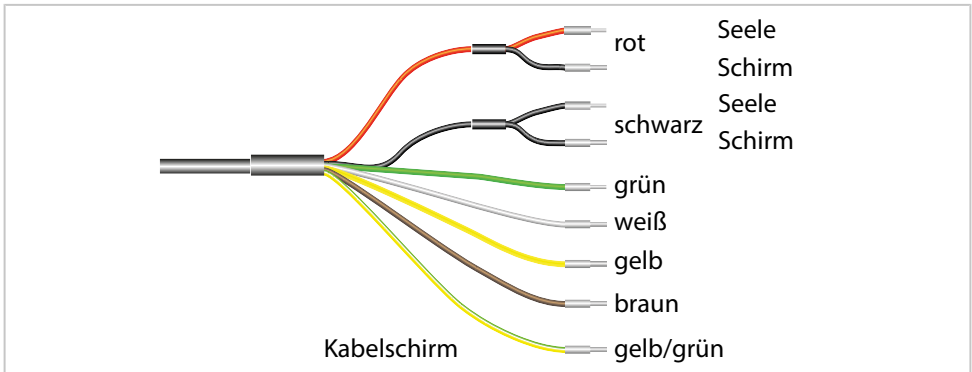
3.5.1 Allgemeine Hinweise zur elektrischen Installation

Der Sensor SE660 wird elektrisch an ein Messmodul eines Analysenmessgeräts der Serie Stratos oder Protos angeschlossen.

Hinweis: Weitere Informationen zu Knick-Analysenmessgeräten sind auf www.knick.de verfügbar.

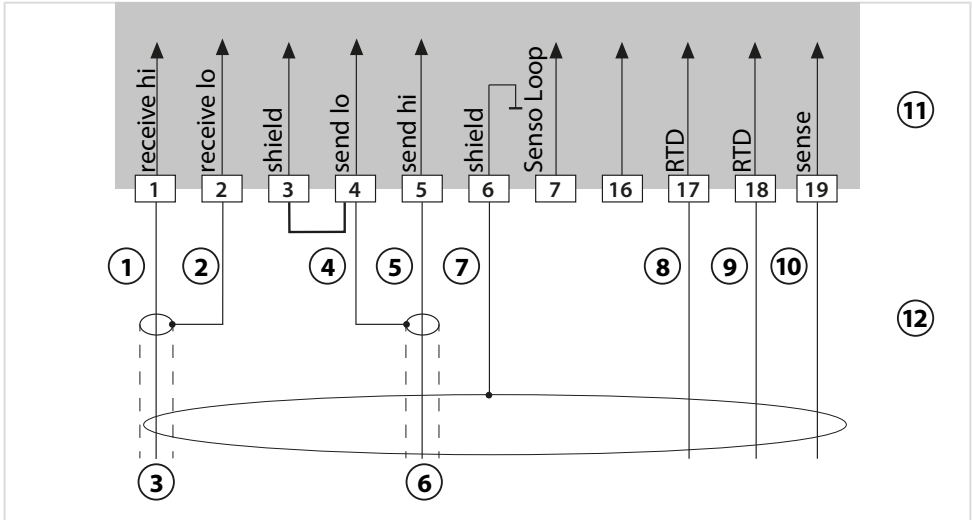
3.5.2 Sensorkabel

Hinweis: Die braune Ader nicht anschließen.



3.5.3 Beschaltung Analysenmessgerät Protos

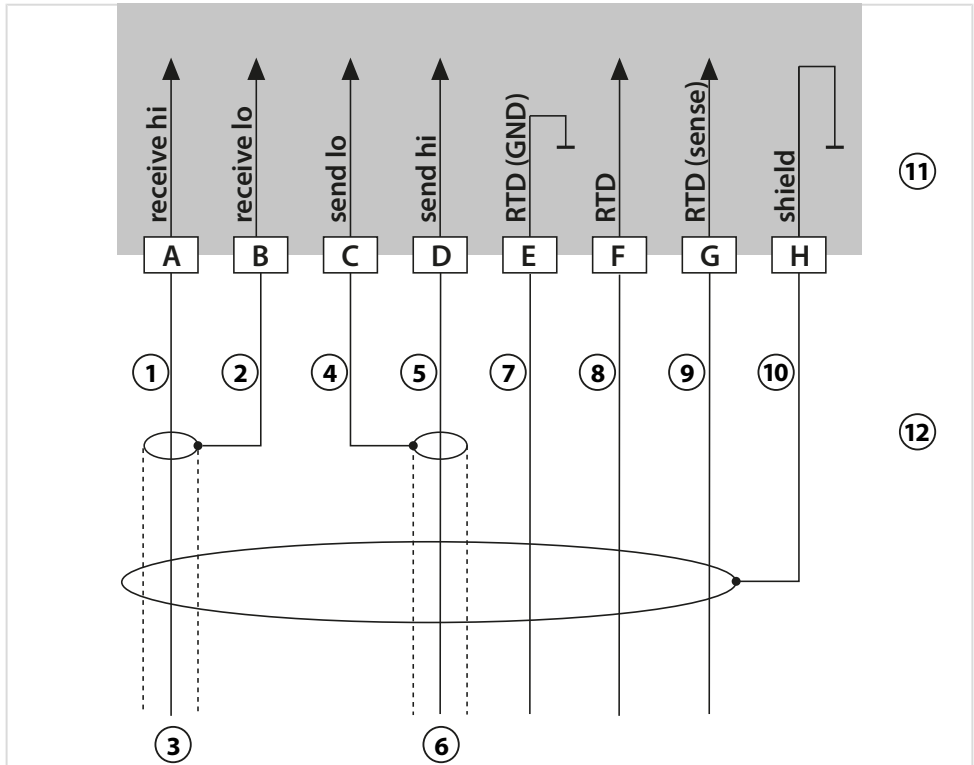
Messmodul CONDI3400-051



1	Seele	7	Schirm grün/gelb
2	Schirm	8	Grün
3	Koax rot	9	Weiß
4	Schirm	10	Gelb
5	Seele	11	Messmodul CONDI3400-051
6	Koax schwarz	12	Kabel

3.5.4 Beschaltung Analysenmessgerät Stratos

Messmodul MK-CONDI035N



1	Seele	7	Grün
2	Schirm	8	Weiß
3	Koax rot	9	Gelb
4	Schirm	10	Schirm grün/gelb
5	Seele	11	Messmodul MK-CONDI035N
6	Koax schwarz	12	Kabel

4 Betrieb, Reinigung und Kalibrierung

4.1 Betrieb

Der Sensor SE660 wird über ein Analysenmessgerät der Serie Protos oder Stratos betrieben und bedient.

Der Betrieb des Sensors SE660 ist wartungsfrei.

Bei starken Ablagerungen oder Messwertschwankungen Sensor reinigen und ggf. kalibrieren.

Hinweis: Auf die Beschaltung im Analysenmessgerät achten! Die Analysenmessgeräte sind unterschiedlich beschaltet. → *Beschaltung Analysenmessgerät Protos, S. 37*
→ *Beschaltung Analysenmessgerät Stratos, S. 38*

Hinweis: Weitere Informationen zu Knick-Analysenmessgeräten sind auf www.knick.de verfügbar.

4.2 Reinigung

Bei starken Ablagerungen den Sensor SE660 reinigen.

01. Beläge und Ablagerungen einweichen und anlösen, z. B. mit Wasser oder verdünnter Salzsäure.
02. Mit einer weichen Bürste Beläge und Ablagerungen entfernen.
03. Sensor mit Wasser abspülen und trocknen.

4.3 Kalibrierung

Bei starken Messwertschwankungen den Sensor SE660 kalibrieren.

▲ VORSICHT! Prozessmedium kann aus der Durchflussarmatur oder Rohrleitung austreten und Gefahrstoffe enthalten. Vor Einbau, Austausch oder Ausbau des Sensors das Prozessmedium ablassen, ggf. drucklos schalten.

01. Sensor ausbauen.
02. Sensor reinigen, abspülen und trocknen. → *Reinigung, S. 39*
03. Kalibriergefäß mit der Knick-Kalibrierlösung CS-C12880K/500 füllen.

Hinweis: Kalibriergefäß der Knick-Durchflussarmatur verwenden. Weitere Informationen unter www.knick.de. Bei anderen Kalibriergefäßen auf den Abstand des Sensors zur Wand des Gefäßes achten (> 30 mm).

04. Sensor in Kalibrierlösung tauchen.
05. Kalibrierung mit dem Analysenmessgerät durchführen und beenden.

Hinweis: Weitere Informationen zu Knick-Analysenmessgeräten sind auf www.knick.de verfügbar.

4.4 Produktkalibrierung

Bei der Produktkalibrierung verbleibt der Sensor SE660 in der Durchflussarmatur bzw. in der Rohrleitung. Ggf. Sensor SE660 vor der Kalibrierung reinigen. → *Reinigung, S. 39*

▲ VORSICHT! Prozessmedium kann aus der Durchflussarmatur oder Rohrleitung austreten und Gefahrstoffe enthalten. Vor Einbau, Austausch oder Ausbau des Sensors das Prozessmedium ablassen, ggf. drucklos schalten.

01. Vom Prozessmedium eine Probe nehmen.
02. Im Labor unter Beachtung der Temperatur eine Vergleichsmessung durchführen.
03. Laborwerte in das Analysenmessgerät eingeben.
04. Kalibriermodus im Analysenmessgerät beenden.

Hinweis: Weitere Informationen zu Knick-Analysenmessgeräten sind auf www.knick.de verfügbar.

5 Störungsbehebung

Störungszustand	Mögliche Ursache	Abhilfe
Schwankende Messwertanzeige	Ablagerungen am Sensor	Sensor reinigen und kalibrieren. → <i>Reinigung, S. 39</i> → <i>Kalibrierung, S. 39</i>
	Durchströmungsöffnung nicht zur Fließrichtung ausgerichtet	Sensor ausrichten.
Keine Anzeige eines Messwerts	Sensor defekt	Sensor tauschen.
	Beschaltung des Messmoduls fehlerhaft oder Sensorkabel defekt	Beschaltung prüfen, ggf. Sensor tauschen.

6 Außerbetriebnahme

6.1 Sensorausbau

▲ VORSICHT! Prozessmedium kann aus der Durchflussarmatur oder Rohrleitung austreten und Gefahrstoffe enthalten. Vor Einbau, Austausch oder Ausbau des Sensors das Prozessmedium ablassen, ggf. drucklos schalten.

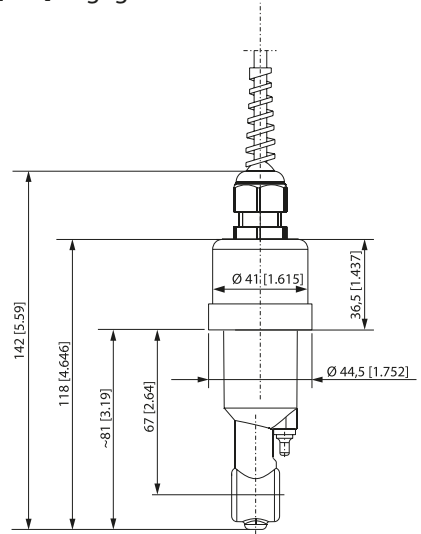
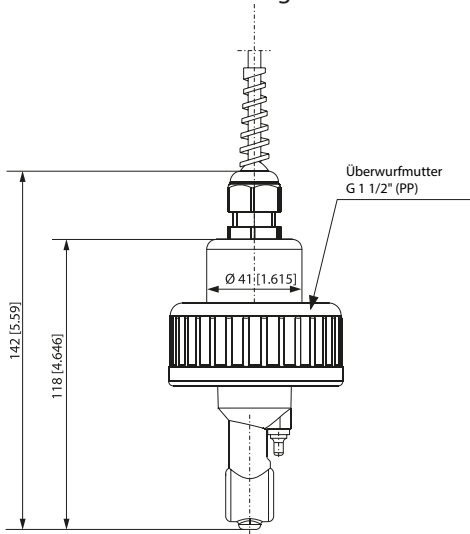
01. Sensor lösen. Ggf. Sensoradapter demontieren.
02. Sensorkabel vom Messmodul lösen.
03. Prozessanschluss geeignet verschließen.

6.2 Entsorgung

Zur sachgemäßen Entsorgung des Produkts sind die lokalen Vorschriften und Gesetze zu befolgen.

7 Maßzeichnungen

Hinweis: Alle Abmessungen sind in Millimeter [Zoll] angegeben.

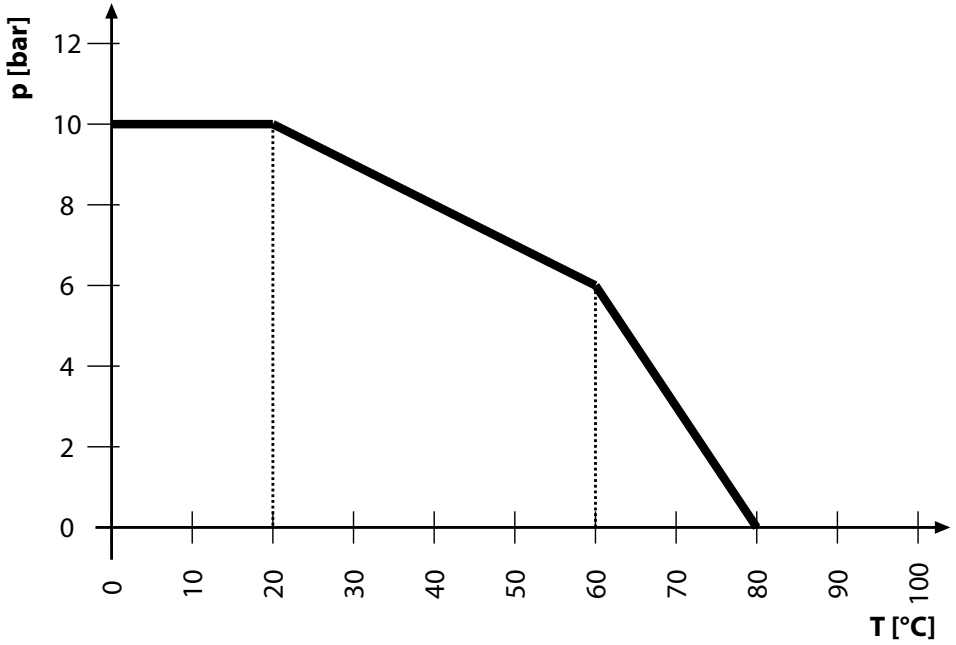


8 Technische Daten

Zellfaktor¹⁾ (gilt für den Abstand zwischen Sensor und Wand der Durchflussarmatur bzw. Rohrwand > 30 mm)	ca. 6,4 /cm
Sensorkennzahl	70031
Übertragungsfaktor	25
Messbereich	0 ... 2000 mS/cm
Auflösung	0,020 mS/cm
Messabweichung	≤ 1 %
Temperaturansprechzeit	≤ 6 s
Prozesstemperatur	
Betrieb	0 ... 60 °C
Kurzzeitig	0 ... 100 °C
Prozessdruck	
Bei 20 °C	max. 10 bar
Bei 60 °C	max. 6 bar
Temperaturfühler	Pt1000
Material	
Schaft	PP (Polypropylen)
Temperaturfühler	Edelstahl 1.4571
Dichtung	FKM
Prozessanschluss	PP-Überwurfmutter G 1½"
Kabellänge	
SE660/11	5 m (Festkabel)
Abmessungen	siehe Maßzeichnung
Gewicht	ca. 1 kg
Schutzart	IP68

¹⁾ Bei einem Abstand zwischen Sensor und Gefäß- bzw. Rohrwand < 30 mm Produktkalibrierung durchführen und Zellfaktor neu ermitteln.

Druck-Temperatur-Diagramm





Knick
Elektronische Messgeräte
GmbH & Co. KG

Headquarters

Beuckestraße 22 • 14163 Berlin
Germany
Phone: +49 30 80191-0
Fax: +49 30 80191-200
info@knick.de
www.knick.de

Local Contacts

www.knick-international.com

Copyright 2021 • Subject to change
Version 2 • This document was published on May 28, 2021.
The latest documents are available for download on our
website under the corresponding product description.

TA-275.025-KNXX02



098379