

EPC700 Valve Connection Box

Prior to installation and assembly, make sure you have read and understood the “Supplemental Directives” and “Safety” chapters in the User Manual for the corresponding basic unit (EPC710, EPC720, or EPC730).

Intended Use

The EPC700 Valve Connection Box (the “valve connection box” or “product”) is a connection module for the electrical control of one or more valves. It is also used to supply voltage to the valves.

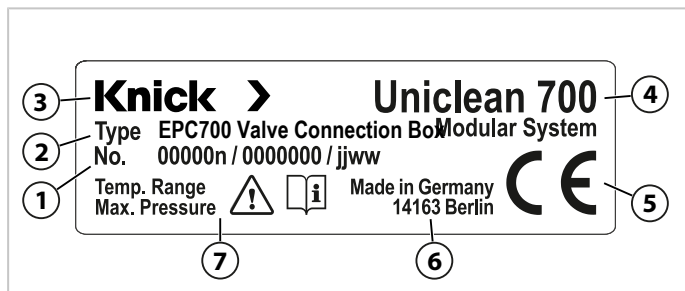
Use of the product is only permitted in compliance with the operating conditions stated in the Specifications.

Package Contents

- EPC700 Valve Connection Box
- Installation Guide

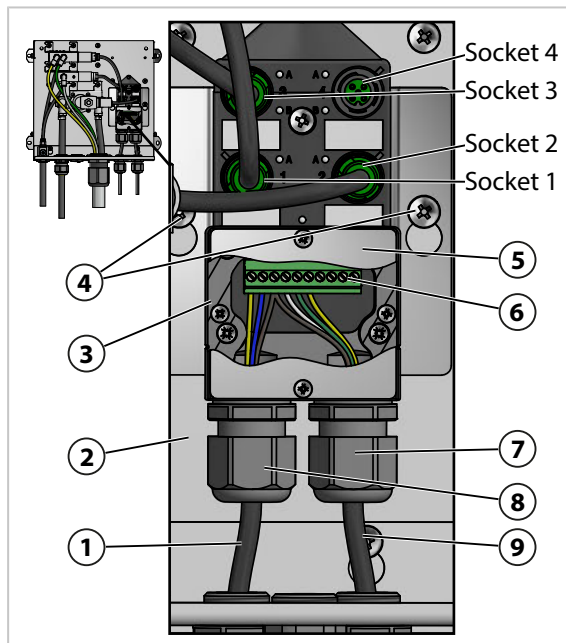
Nameplate

The product is identified by a nameplate.

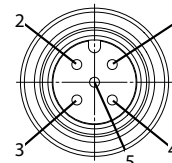


- 1 Item number, serial number, year/month
- 2 Model designation
- 3 Manufacturer
- 4 Product family
- 5 CE mark
- 6 Manufacturer address
- 7 For temperature range and max. operating pressure, see Specifications

Installation



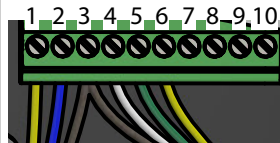
Pin assignments



M12 socket

Pin	Function
1	24 V DC
2	Not used
3	GND reference potential
4	Switched 24 V DC
5	PE protective conductor

Terminal assignments



Terminal	Description
1	PE Protective conductor
2	GND Reference potential
3	U _N Voltage supply
4	1/4 Trigger: socket 1 pin 4
5	2/4 Trigger: socket 2 pin 4
6	3/4 Trigger: socket 3 pin 4
7	4/4 Trigger: socket 4 pin 4
8	Free Not used
9	Free Not used
10	Free Not used

- Loosen the screws (4) and fasten the valve connection box (3) to the base plate (2) (see figure).
Note: All screws are pre-installed on the base plate.
- Insert the M12 connectors of the valves or the program module into the sockets and screw tight.
Note: Always connect the program module to socket 1.
- Unscrew the top piece (5).

NOTICE! Damage to the screw terminals due to excessive tightening torque. Tighten the screw terminals with a max. torque of 0.6 Nm.

04. Guide the cable **(9)** from the industrial transmitter through the cable gland **(7)** and connect it to the terminal strip **(6)**; see terminal assignments.

Note: Connections 4 ... 7 must match the sockets used.

05. Guide the 24 V DC power supply cable **(1)** through the cable gland **(8)** and connect it to the terminal strip **(6)**; see terminal assignments.

06. Screw the top piece **(5)** back on.

Specifications

Electrical Power Supply

Operating voltage	24 V DC \pm 10 %
Current consumption	Max. 1 A, less dependent on version
Connection	Screw terminal for rated cross-section 1.5 mm ²

Ambient Conditions

Transport/storage temperature	-20 ... 70 °C (-4 ... 158 °F)
Ambient temperature	-20 ... 70 °C (-4 ... 158 °F)
Relative humidity	5 ... 95 %, not condensing

General

Dimensions	Approx. 45 × 92 × 155 mm (1.77 × 3.62 × 6.10")
Weight	Approx. 0.37 kg
Materials	Stainless steel A2, plastic(s)
Installation	Fixing bracket, stainless steel A2
Degree of protection according to EN 60529	IP65

