



WA 125 Ball Valve Fitting

Stainless-steel ball-valve fitting with integrated 2-electrode sensor for conductivity measurement.

Robust retractable fitting with ball valve. The coaxial conductivity sensor integrated in the immersion tube has a large measuring range from ultrapure water to 1000 $\mu\text{S}/\text{cm}$. After retraction of the immersion tube, the sensor can be serviced, cleaned, or replaced during the running process. The outer electrode is replaceable. A temperature detector is integrated in the sensor for exact temperature compensation.

Applications

Boiler feed water, feed water, boiler water, cooling water, pure water, condenser monitoring

Facts

- large measuring range from 10 nS/cm to 1000 $\mu\text{S}/\text{cm}$
- integrated temperature detector
- retractable fitting with robust ball valve
- long insertion length of the sensor in the process
- safe and easy handling
- maintenance, cleaning, and replacement of the sensor during the running process
- sensor movement up to process pressures of 6 bars possible
- safe sensor locking in process position with bayonet locking mechanism
- high level of process safety due to durable materials and robust design

Specifications

Cell constant:	Approx. 0.021 cm^{-1}
Measuring range:	Analog sensor: 0 ... 1000 $\mu\text{S}/\text{cm}^{-1}$ Resolution: 0,001 $\mu\text{S}/\text{cm}^{-1}$ Memosens sensor: 0 ... 400 $\mu\text{S}/\text{cm}^{-1}$
Temperature detector:	Analog conductivity sensor: Pt 1000 Memosens conductivity sensor: NTC 30 kOhms
Response time temperature	$T_{90} < 45 \text{ s}$
Materials:	See product line
Temperature:	Process: $-30 \text{ }^\circ\text{C}$... $120 \text{ }^\circ\text{C}$ Environment: $-25 \text{ }^\circ\text{C}$... $80 \text{ }^\circ\text{C}$
Pressure (static)	max. 10 bars at $-30 \text{ }^\circ\text{C}$... $120 \text{ }^\circ\text{C}$
Pressure (service)	max. 6 bars
Sensor connection:	analog: M 12 digital: Memosens
Protection:	IP 67 with closed connection
Process connection:	See product line
Eintauchtiefe:	See product line
Weight:	Approx. 7 kg

Retractable Fittings

Product Line

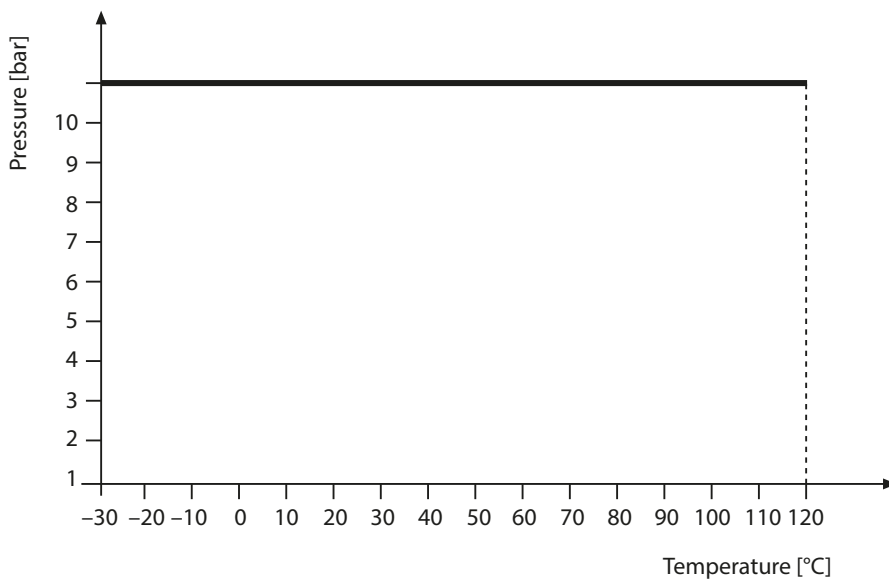
		WA 125 Ball Valve-Fitting													
		□	□	□	□	□	□	□	□	□	□	□	□	□	□
Sensor	SE 605 2 electrode conductivity sensor, analog	AN-N													
	SE 605 2 electrode conductivity sensor, Memosens	MS-N													
	SE 605 2 electrode conductivity sensor, Memosens, ATEX	MS-X													
Immersion depth	110 mm		1	1	0										
	210 mm		2	1	0										
	Customer-specific length		*	*	*										
Wetted materials	Housing and sensors: 1.4571, 1.4435								A						
	Ball valve: 1.4408., 1.4401														
Gasket material	FKM								A						
	EPDM								B						
	FFKM								K						
	FKM FDA								F						
	EPDM FDA								E						
	FFKM FDA								H						
Process connection	Flange, 1.4571, PN10/16, DN 50								0	B	1				
	Flange, 1.4571, PN10/16, DN 65								0	B	2				
	Flange, 1.4571, PN10/16, DN 80								0	B	3				
	Flange, 1.4571, PN10/16, DN 100								0	B	4				
	Flange, 316, ANSI, 150 lbs, 2"								0	D	1				
	Flange, 316, ANSI, 150 lbs, 2 ½"								0	D	2				
	Flange, 316, ANSI, 150 lbs, 3"								0	D	3				
	Flange, 316, ANSI, 150 lbs, 3 ½"								0	D	4				
Electrical limit signal	Without											0			
	With											1			
Calibration chamber	Without in / outlet											0			
	With in / outlet											1			
Safety functions	Without												0	0	0
	Ball valve interlocking												0	0	1

Accessories

Cables	Length	Order No.
Memosens cable ¹⁾ (ferrules)	3 m	CA/MS-003NAA
	5 m	CA/MS-005NAA
	10 m	CA/MS-010NAA
	20 m	CA/MS-020NAA
Memosens cable Ex ¹⁾ (ferrules)	3 m	CA/MS-003XAA
	5 m	CA/MS-005XAA
	10 m	CA/MS-010XAA
	20 m	CA/MS-020XAA
Memosens cable (M12 plug, 8-pin)	5 m	CA/M12-005NA-8
	10 m	CA/M12-010NA-8
M12 extension cord, 8 pins	10 m	CA/M12-010M12-8
Inspection certificate 3.1 acc. to EN 10204		ZU 0268/ARn

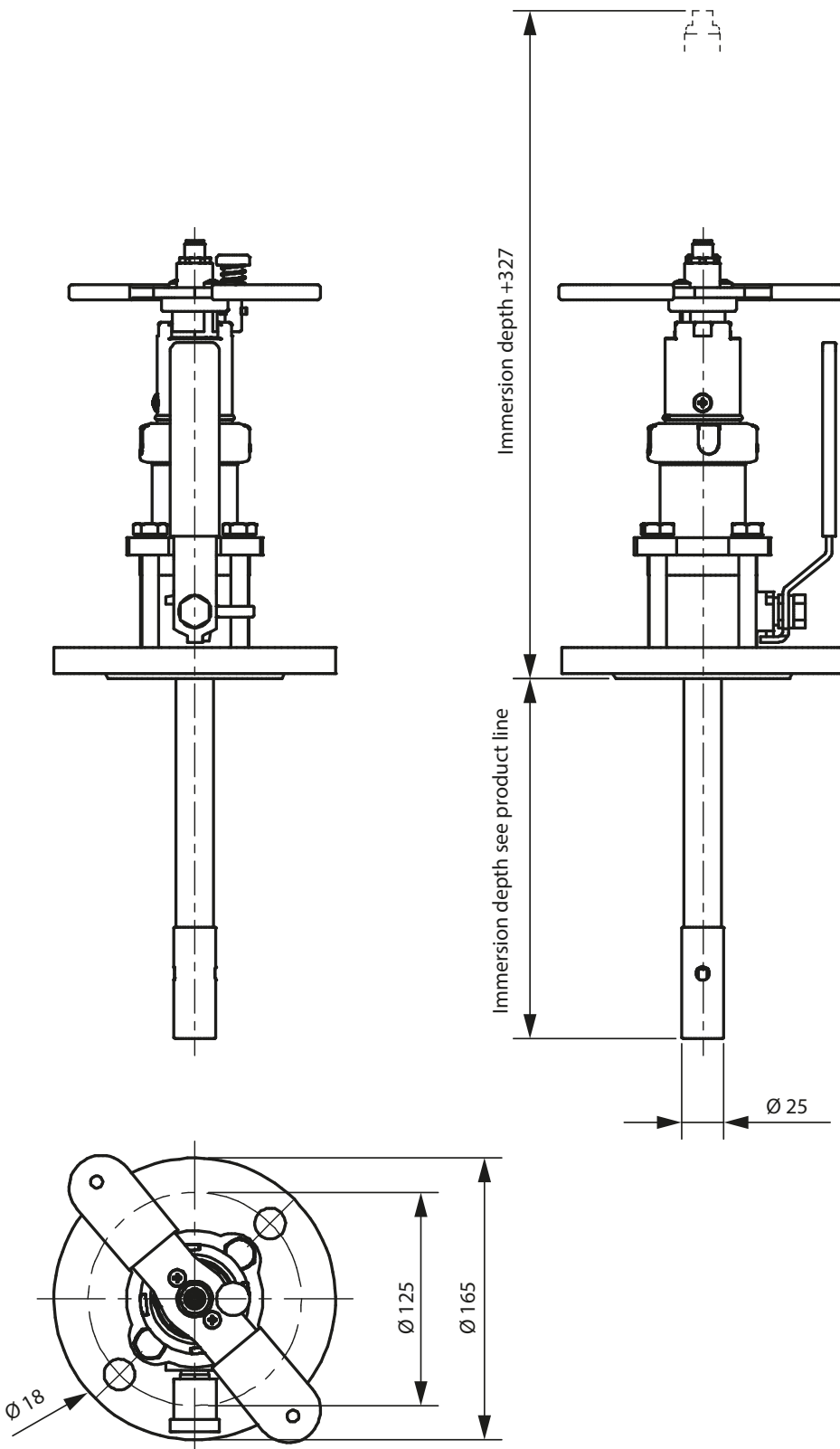
¹⁾ Other cable lengths on request

Pressure/Temperature Diagram



Retractable Fittings

Dimension Drawings



All dimensions in mm