



SE 603 Conductivity Sensor

4-electrode sensor with large measuring range providing maximum corrosion resistance, sensor materials: PTFE and platinum

For special chemistry applications, universal measuring range from pure water to 600 mS/cm. With fixed cable and integrated temperature detector. Process-wetted materials: PTFE and platinum. Ultracompact design.

Applications

Measurement of pure water up to high conductivities. Highly corrosive chemical processes, bleaching liquors, oxidizing as well as heavily polluted (e.g. fibrous) materials, condenser leakage monitoring.

Specifications

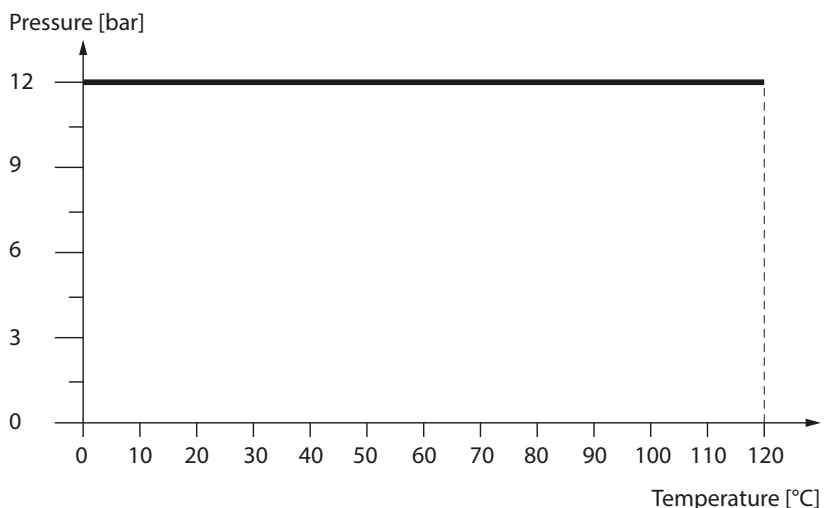
Cell constant*):	0.14 ... 0.38 cm (exact value printed on rating plate)
Measuring range:	Approx. 0.5 μ S/cm ... 600 mS/cm
Material:	Body: PTFE Elektroden: Platin
Temperature detector:	Pt 1000 (IEC-Klasse A)
Temperature:	Max. 120 °C
Pressure:	Max. 12 bar
Process adaptation:	Special flange (see Accessories)
Cable:	Fixed cable, 5 m

*) Observe instructions for use (field conditions)

Facts

- High level of chemical resistance due to corrosion-proof materials
- Large measuring range due to 4-electrode technology
- Measurement at high temperatures and pressures
- Slim, ultracompact design

Pressure/Temperature Diagram

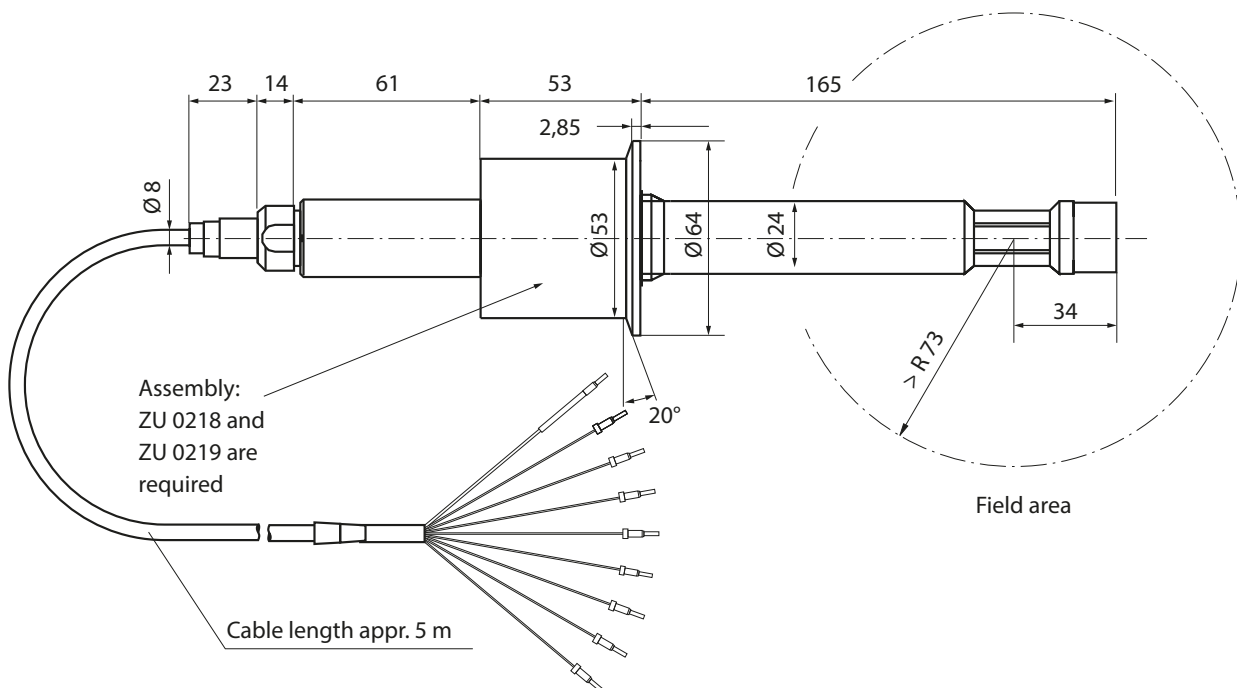


SE 603 Conductivity Sensor

Product Range

Sensor		Order No.
SE 603 conductivity sensor		SE 603
Accessories		Order No.
Sealing washer		ZU 0218
Flange		ZU 0219
Conductivity standard	KCl 0,1 mol/l 12,88 mS/cm ± 1,5 %	ZU 0348
Calibration Certificate		ZU 0320

Dimension Drawing



All dimensions in mm

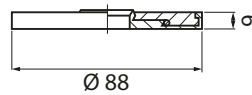
Accessories / Specifications

ZU 0218 sealing washer



Material: PTFE / AISI 316 L
 Pressure: 10 bar
 Temperature: 120 °C
 For installation with ZU 0219

Dimension drawing

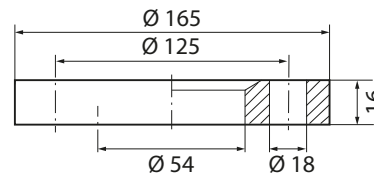


ZU 0219 flange



Material: AISI 316 L
 Process connection: DN 50, PN 10, Ø 165 mm
 Temperature: 120 °C
 Pressure: 10 bar

Dimension drawing



SE 603 Conductivity Sensor

Typical Assembly

