

SE 630 Memosens Conductivity Sensor

2-electrode sensor for measuring low to medium conductivity values, flexible application, high chemical, thermal and mechanical resistance – even in hazardous areas, digital, with Memosens technology

Corrosion-proof materials, graphite electrodes, and PES body. High accuracy and integrated temperature detector for correct temperature compensation and concentration measurement. Large pressure and temperature range.

Applications

Water, moderately polluted wastewaters, process solutions with medium conductivities; also corrosive media

Facts and Features

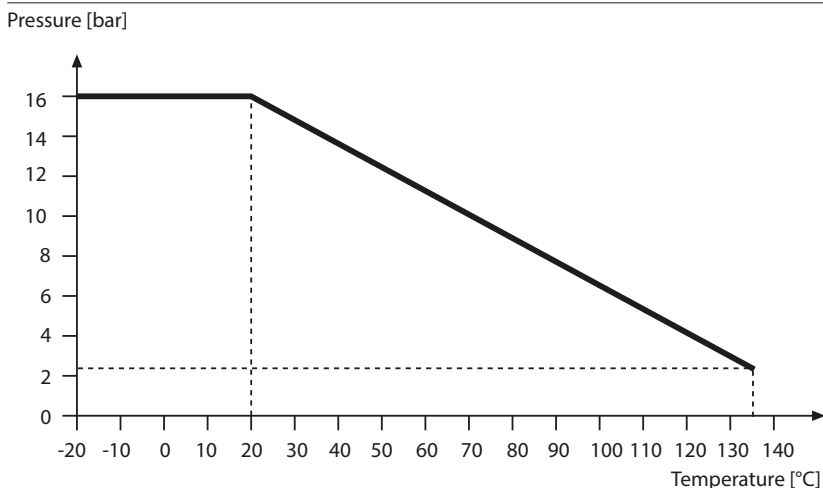
- Perfect galvanic isolation thanks to Memosens technology

- Digital data transfer
- Integrated sensor diagnostics
- High level of process safety due to durable materials
- Integrated temperature detector
- Robust design
- Large pressure and temperature range
- Easy to clean
- High-precision measurement of conductivities up to 20 mS/cm
- High chemical and thermal resistance
- Operation in hazardous locations

Specifications

Cell constant:	1/cm
Measuring range:	10 µS/cm ... 20 mS/cm
Material:	Body: PES
Electrodes:	Special graphite
Temp detector protection:	Titanium
Temperature detector:	NTC 30 kΩ
Temperature:	-20 ... 135 °C
Pressure:	Max. 16 bar (20 °C), 2.5 bar (135 °C)
Process connection:	G 1" SE 630-MS, SE 630X-MS NPT 1", SE630N-N1MSYB0M
Sensor connector:	Memosens
Ex marking (SE 630X-MS):	II 1G Ex ia IIC T3/T4/T6 Ga

Pressure/Temperature Diagram



SE 630 Memosens Conductivity Sensor

Product Range

		Order No.
SE 630 conductivity sensor	G 1"	SE 630-MS
	G 1", Ex	SE 630X-MS
	NPT 1"	SE 630N-N1MSYB0M

Accessories

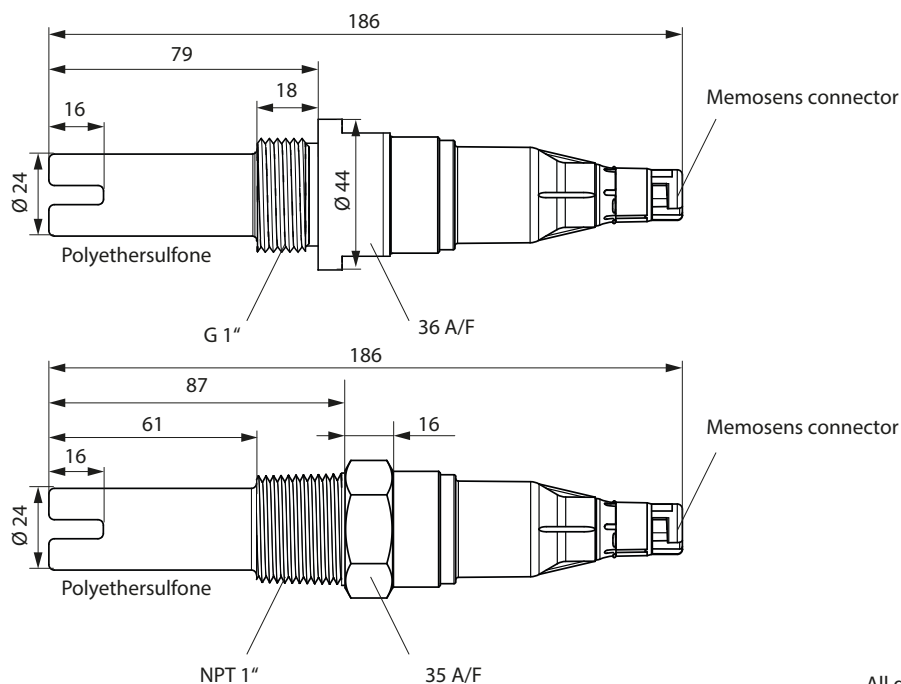
		Order No.
Memosens cable	3 m	CA/MS-003NAA
	5 m	CA/MS-005NAA
	10 m	CA/MS-010NAA
	20 m*	CA/MS-020NAA
Memosens cable, Ex	3 m	CA/MS-003XAA
	5 m	CA/MS-005XAA
	10 m	CA/MS-010XAA
	20 m*	CA/MS-020XAA
6-hole flange		ZU 0278
Conductivity standard	KCl 0.1 mol/l 12.88 mS/cm ± 1.5 % 250 ml	ZU 0348
	KCl 0.01 mol/l 1413 µS/cm ± 2 % 250 ml	ZU 0349
Calibration certificate		ZU 0320

MemoSuite

		Order No.
Management software for	Basic version (calibration)	SW-MS1400-B
Memosens sensors	Advanced version (calibration, diagnostics, documentation)	SW-MS1400-A

* Greater lengths on request

Dimension Drawing



All dimensions in mm.