

Pneumatic Retractable Fittings

Chem

Energy

Pharm

Food

Water



Ceramat® Sensor Lock-Gate

Automatic sensor lock-gate for extreme applications with ceramic sealing to the process

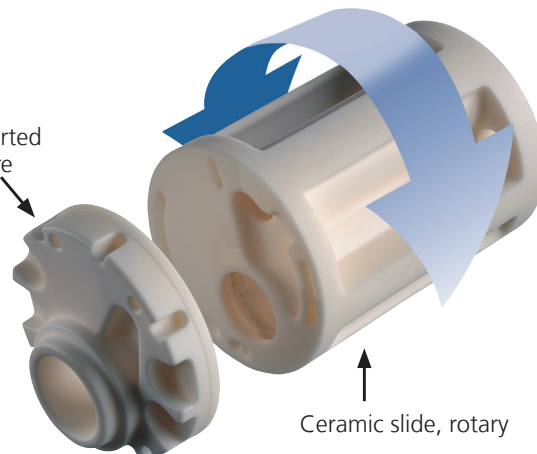
Unique lock-gate principle

The usual O-ring seal problems occurring in conventional retractable fittings are eliminated. The O-rings are replaced by two superpolished planar ceramic disks which separate the calibration chamber from the process by a rotary movement.

The ceramic seal between calibration chamber and process is harder than steel and extremely resistant to chemical, thermal, and mechanical influences – a guarantor for highest availability and process safety.

The Ceramat® sensor lock-gate has proved particularly successful in extremely difficult processes where standard O-ring seals fail.

- Ceramic slide
- not moved
- movably supported
- contact pressure provided by Hastelloy springs



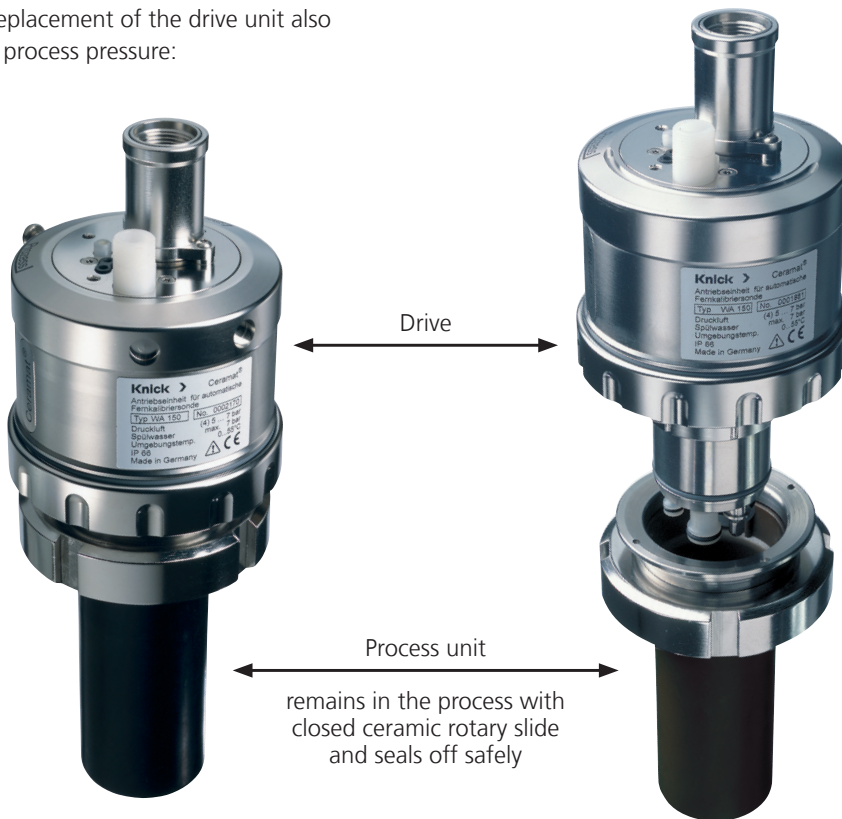
The process-wetted outer housing (PVDF, PEEK, or steel) always remains static and is therefore not subjected to mechanical stress. The unit is driven by a compact pneumatic rotary-lift motor with positively controlled, integrated valves.

Maintenance without process interruption

The particular ease of maintenance of the sensor lock-gate is achieved by a well thought-out design that allows the few maintenance operations required to be performed on site without the aid of a workshop.

A unique feature is the easy separation of the complete drive unit under full process conditions. That means that the process medium – which might be corrosive, hot, toxic, and under pressure – remains reliably sealed off. This also allows cleaning the calibration chamber under process conditions when the sensor is broken.

Easy replacement of the drive unit also under process pressure:



Pneumatic Retractable Fittings

Chem

Energy

Pharm

Food

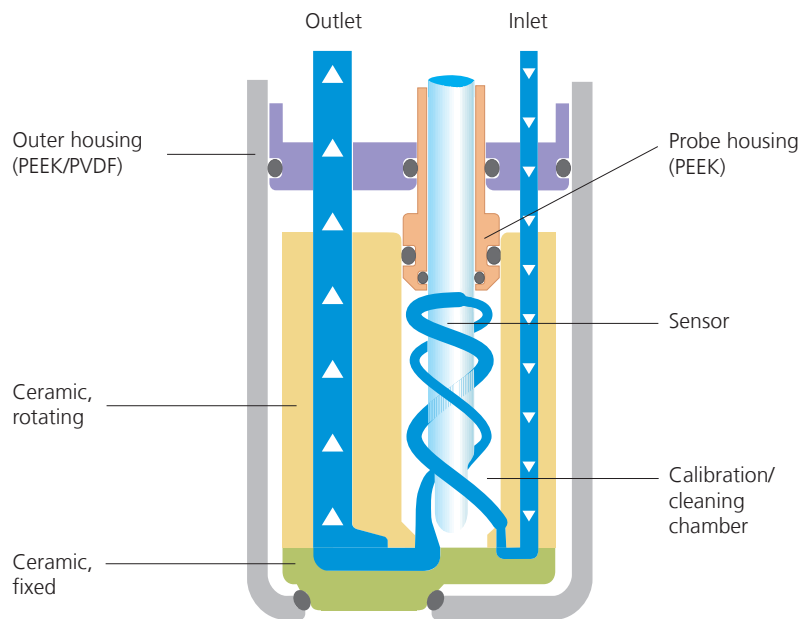
Water

Ceramat® Sensor Lock-Gate

Effective Sensor Cleaning

A unique feature is the tangential routing of the rinse media with high flow rates for an optimum cleaning effect of the sensor.

Service position: for rinsing or filling of the calibration/cleaning chamber or for sensor removal (SIP and CIP compliant):

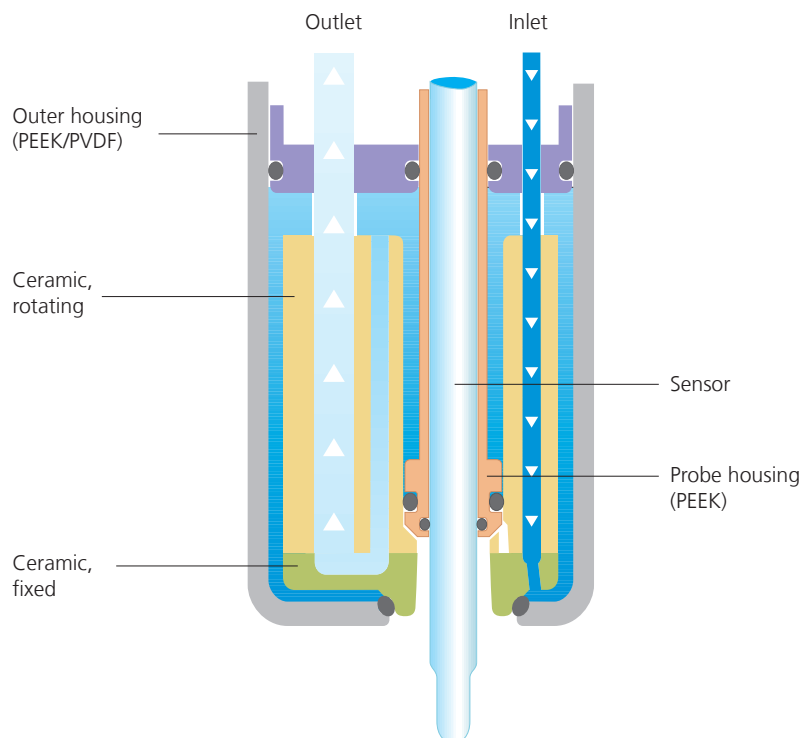


Cavity Rinsing

The Ceramat® sensor lock-gates provide an additional cavity rinsing between housing and ceramic elements, ensuring that no area is left unrinsed or uncleaned. They are particularly suitable for sensitive processes with high safety requirements.

The design meets the standards of the IGB (Fraunhofer Institute for Interfacial Engineering and Biotechnology) in Stuttgart.

Process position: Cavity rinsing (SIP and CIP compliant):



Position Indication

Clear indication of Ceramat® position:
service and process



Plug & Play

The central multiplug contains tubings for rinsing, cleaning, and calibration media, including check valves and limit switches and enables a fast, safe, and space-saving connection.



Applications

- Highly corrosive processes, e.g. chlorine production, phosgenation
- Processes with depositing, abrasive, and incrusting solids: flue gas desulfurization, gas scrubbers, sugar production (1st + 2nd carbonatation), dyes and pigment synthesis, special incrusting industrial wastewaters
- Pulpy, fibrous media (cellulose, cosmetics, food)
- Organic and sticky residues: refinery wash waters, starch production

Pneumatic Retractable Fittings

Chem

Energy

Pharm

Food

Water

Ceramat® WA 160

The unique sensor lock-gate with ceramic sealing to the process, immersion version

Facts

- for the first time, automatic cleaning and calibration in an immersion fitting without contaminating the process medium with cleaning or calibration solutions
- immersion lengths from 600 to 2,000 mm
- diameter of immersion tube 65 mm and above
- easy electrode replacement, even with 2,000 mm immersion length and during the running process.
- process-wetted material variants, either:
 - 1.4571 stainless steel
 - corrosion-resistant, polypropylene (PP), or polyvinylidene fluoride (PVDF)
 - hygienic, electropolished 1.4435 stainless steel
- solid-electrolyte sensors (225 mm length)
- ceramic sealing to the process:
 - extremely high hardness (Mohs hardness 9) prevents wear on the sealing surfaces in abrasive media
 - virtually wear-resistant
 - high and constant tightness due to lapped and polished sealing surfaces
 - high mechanical strength
 - high temperature resistance
 - high chemical resistance
 - sterilizable
- very high availability
- plug & Play thanks to central multiplug
- all maintenance can be performed on site
- drive easily replaceable under process conditions
- cyclone rinsing for optimum cleaning effect
- two independent barriers with cavity rinsing
- sensor dismount guard in conjunction with Uniclean® 900/Unical® 9000
- improved sensor immersion depth
- standard sensor length (225 mm)
- ideal for application in tanks, basins, or channels

Versions

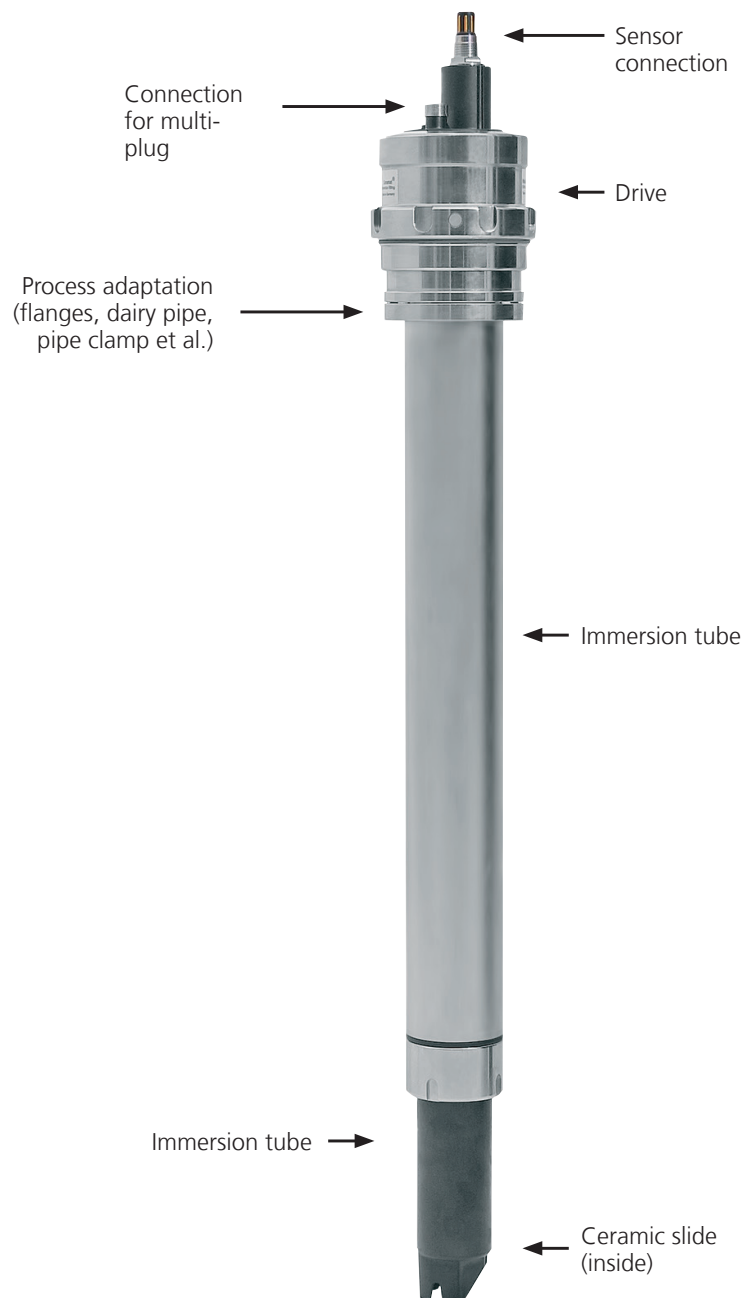
Version in plastic, coated PP/PVDF

Version in 1.4571 stainless steel

Version in 1.4435 polished stainless steel



Basic Configuration



Pneumatic Retractable Fittings

Chem

Energy

Pharm

Food

Water

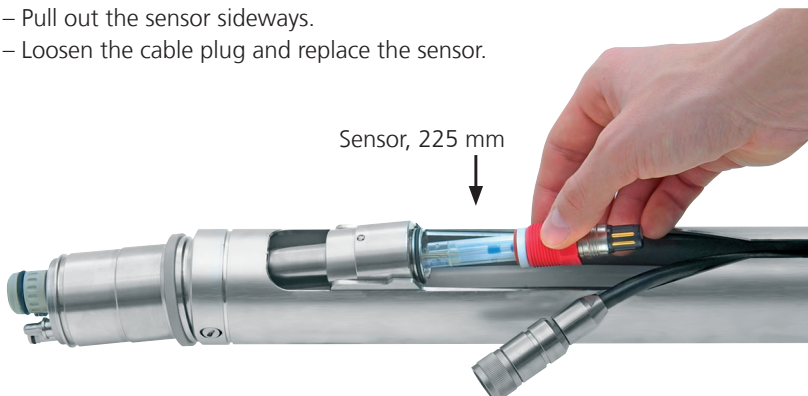
Cerammat® WA 160

Easy Sensor Replacement Under Process Pressure

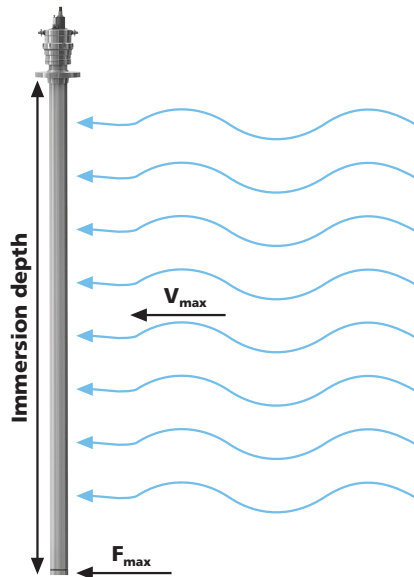
- Loosen coupling and pull out drive at the bail handle.



- Pull out the sensor sideways.
- Loosen the cable plug and replace the sensor.



Permissible Forces and Flow Rates



Version 1.4571

Immersion depth	1500 mm	2000 mm
F_{max}	400 N	300 N
V_{max} (water)	4 m/s	3 m/s

Pneumatic Retractable Fittings

Chem

Energy

Pharm

Food

Water

Cerammat® WA 160

Product Range

Order No.

Basic Unit		WA 160 /	-	-	-	-	-	-	-	-	-	-	-	-
Explosion protection	For hazardous area Zone 0 Without	X N												
Sensor connection	VP InduCon Memosens	1 2 3												
Sealing kit	FKM EPDM FFKM /FKM FFKM	A B C K												
Probe housing material	PEEK with integrated sensor protection PVDF with integrated sensor protection PEEK without integrated sensor protection PVDF without integrated sensor protection 1.4435 w/o integr. sensor protection, sensor socket PEEK PEEK w/o integr. sensor protection, long sensor socket, 1.4571 PEEK w/o integr. sensor protection, long sensor socket, C22 PVDF w/o integr. sensor protection, long sensor socket, 1.4571 PVDF w/o integr. sensor protection, long sensor socket, C22 PEEK, w/o integr. sensor protection, socket with PEEK scraper ring PEEK, sensor socket with full sensor protection, 1.4571 PVDF, sensor socket with full sensor protection, 1.4571 PEEK, sensor socket with full sensor protection, C22 PVDF, sensor socket with full sensor protection, C22	A B C D E H J K L M N O P R												
Process adaptation	Flange, loose, 1.4571, PN10/16, DN 65 Flange, loose, 1.4571, PN10/16, DN 80 Flange, loose, 1.4571, PN10/16, DN 100 Flange, loose, 1.4571, PN10/16, DN 125 Flange, loose, 1.4571, PN10/16, DN 150 Flange, loose, 1.4571, PN16, DN 200 Dairy pipe DN 80	B 2 B 3 B 4 B 5 B 6 B 7 C 3												
Immersion depth	600 1000 1500 2000	A B C D												
Immersion tube material	Stainless steel 1.4571 Stainless steel 1.4435, polished Stainless steel, PP sheathed Stainless steel, PVDF sheathed	1 2 3 4												
Special variant	Without Equipped with special grease (provided by customer) Customer-specific special datasheet												0 0 0 1 F	

Specifications

Permitted process temp.	5 ... 120 °C (immersion tube 1.4571, 1.4435, PVDF) 5 ... 90 °C (immersion tube PP)
Permitted process pressure	6 bar gauge pressure
Electrodes	length 225 mm, Pg 13.5 coupling
Air supply	(4) 5* ... 7 bar, filtered 10 ... 25 µm, oil- and condensate-free
Immersion depth	600, 1000, 1500, 2000 mm, measured from flange to sensor tip
Process adaptations	flanges, loose, DN 65/DN 80/DN 100/DN 125/DN 150/DN 200/special flanges/ dairy pipe DN 80 and above/pipe clamp
Rinse medium outlet	connection for hose grommet with coupling (Unical® 9000/Uniclean® 900) internal shut-off by ceramic disks
Rinse medium inlet	multiplug connection for Unical® 9000/Uniclean® 900 internal shut-off by ceramic disks
Special functions	rinsing of inner cavities (ceramic)
Process-wetted materials	depending on version: PEEK carbon-fiber reinforced, PVDF carbon-fiber reinforced, stainless steel 1.4571/1.4435, PP, PVDF, ceramic (aluminum oxide), O-rings made of EPDM (FDA), FKM, or FFKM
Drive housing	stainless steel 1.4571
Drive protection	IP 66
Connection to Uniclean® 900/ Unical® 9000	compact multiplug connection
Sensor protection	integrated and pluggable sensor protection (accessory)
Limit position control	noncontacting electrical limit-position control in conjunction with Uniclean® 900/Unical® 9000 or ZU 0631 Standard Media Interface
Certificates	3.1 Material Certificate (optional) ATEX II 1 GD c II

*1 with sticky media containing particles

Pneumatic Retractable Fittings

Chem

Energy

Pharm

Food

Water

Ceramat® WA 160

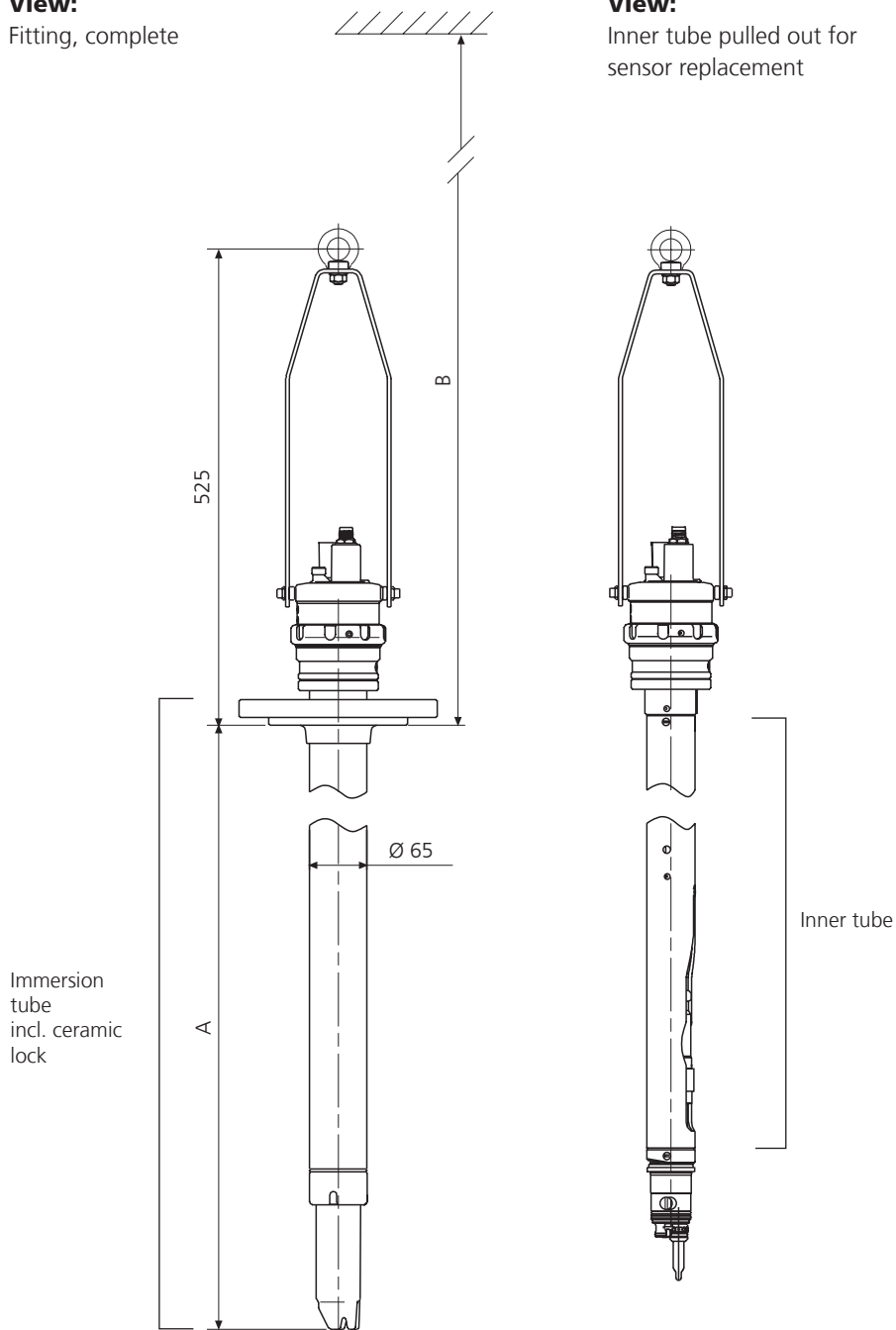
Dimension Drawings

View:

Fitting, complete

View:

Inner tube pulled out for sensor replacement



Immersion depth	A	600	1000	1500	2000
Clearance for disassembly	B	1200	1600	2100	2600

Accessories (Details from page 298)

	Order No.
Ceramat® mounting wrench	ZU 0648
Sensor mounting wrench, SW 19	ZU 0647
Standard-media (SM) interface	ZU 0631
Pneumatically operated manual control valve	ZU 0646
Pneumatically controlled 3/8; valve for additional medium	ZU 0669
Adapter for additional medium, PEEK/FKM	ZU 0654/1
Adapter for additional medium, PEEK/EPDM	ZU 0654/2
Adapter for additional medium, PEEK/FFKM	ZU 0654/3
Adapter for additional medium, steel 1.4571/FKM	ZU 0655/1
Adapter for additional medium, steel 1.4571/EPDM	ZU 0655/2
Adapter for additional medium, steel 1.4571/FFKM	ZU 0655/3
Bail handle	ZU 0651

Gaskets

	Set	Process-wetted material	Order No.
Holder tube, 1.4571 steel	A	FKM	ZU 0662
	B	EPDM	ZU 0663
	C	FFKM	ZU 0664
	E	EPDM FDA	ZU 0665
	Holder tube, PP or PVDF	A	FKM
B		EPDM	ZU 0682
C		FFKM	ZU 0683
E		EPDM FDA	ZU 0684
Holder tube, 1.4435 steel		A	FKM
	B	EPDM	ZU 0686
	C	FFKM	ZU 0687
	E	EPDM FDA	ZU 0688

Pneumatic Retractable Fittings

Chem

Energy

Pharm

Food

Water

Cerammat® WA 160

Sensor Sockets for Cerammat® WA 160

Order No.

Sensor socket PEEK/FKM	ZU 0616
Sensor socket PEEK/EPDM	ZU 0617
Sensor socket PEEK/FFKM	ZU 0618
Sensor socket PEEK/EPDM FDA	ZU 0619
Sensor socket PEEK/FKM (with scraper ring)	ZU 0705
Sensor socket PEEK/EPDM (with scraper ring)	ZU 0706
Sensor socket PEEK/FFKM (with scraper ring)	ZU 0707
Sensor socket PVDF/FKM	ZU 0620
Sensor socket PVDF/EPDM	ZU 0621
Sensor socket PVDF/FFKM	ZU 0622
Sensor socket PVDF/EPDM FDA	ZU 0623
Sensor socket, long, 1.4571/FKM	ZU 0672/A
Sensor socket, long, 1.4571/EPDM	ZU 0672/B
Sensor socket, long, 1.4571/FFKM	ZU 0672/C
Sensor socket, long, Hastelloy/FKM	ZU 0673/A
Sensor socket, long, Hastelloy/EPDM	ZU 0673/B
Sensor socket, long, Hastelloy/FFKM	ZU 0673/C
Sensor socket full sensor protection, Hastelloy C22/FKM	ZU 0808/A
Sensor socket full sensor protection, Hastelloy C22/EPDM	ZU 0808/B
Sensor socket full sensor protection, Hastelloy C22/FFKM	ZU 0808/C
Sensor socket full sensor protection/FKM	ZU 0820/A
Sensor socket full sensor protection/EPDM	ZU 0820/B
Sensor socket full sensor protection/FFKM	ZU 0820/C

For up-to-date information, please visit www.knick.com.br

Isolation Amplifiers
Transmitters

Indicators

Process Analytics

Portable Meters

Laboratory Meters

Sensors

Fittings

Knick 