

## SE554 Memosens pH/ORP Sensor

**Low-maintenance sensor for demanding process applications in the chemical industry, digital, with Memosens technology**

The special design provides high accuracy, stability, speed, and a long life cycle. Through 2 open junctions, the reference system is in direct contact with the measured medium. There is hardly any risk of contamination or blocking of the junction. The high content and special distribution of potassium chloride in the polymer reduces measurement disturbances which could be caused by liquid junction potentials.

### Applications

Measurement in media of extremely high ionic strength, salt brines, strongly oxidizing media, acidic and alkaline media.

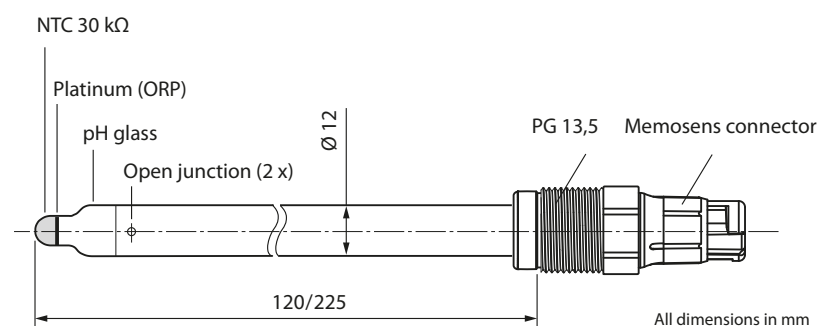
### Specifications

|                       |  |
|-----------------------|--|
| pH:                   | 0 ... 14   |
| ORP:                  | -1500 ... 1500 mV  |
| Temperature:          | 0 ... 130 °C   |
| Pressure, relative:   | 0 ... 10 bar   |
| Temperature detector: | NTC 30 kΩ  |
| pH sensor material:   | Alpha glass  |
| ORP sensor material:  | Platinum   |
| Reference system:     | Ag/AgCl, polymer electrolyte   |
| Junction:             | Hole (2 x)   |
| Length:               | 120 mm / 225 mm  |
| Process adaptation:   | PG 13.5  |
| Sensor connector:     | Memosens   |
| ATEX marking          | II 1 G Ex ia IIC T3 / T4 / T6 Ga   |
| FM marking:           | IS for Class I, Division 1, Groups A, B, C, D; Class I, Zone 0, AEx/Ex ia IIC T6 ... T4<br>NIFW for Class I, Division 2, Groups A, B, C, D; Class I, Zone 2, IIC T6 ... T4 |

### Facts

- Simultaneous measurement of pH and ORP
- Perfect galvanic isolation thanks to Memosens technology
- No influence of humidity in the connector
- Precalibration in the lab
- Digital data transfer
- Integrated sensor diagnostics
- Low maintenance, no refilling of electrolyte
- Integrated temperature detector
- Open junctions, no blocking

### Maßzeichnung



# SE554 Memosens pH/ORP Sensor

## Product line

### Sensor

| Sensor              | Length | Order No.     |
|---------------------|--------|---------------|
| SE554 pH/ORP sensor | 120 mm | SE554X/1-AMSN |
|                     | 225 mm | SE554X/2-AMSN |

### Accessories

| Accessories        | Length | Order No.    |
|--------------------|--------|--------------|
| Memosens cable     | 3 m    | CA/MS-003NAA |
|                    | 5 m    | CA/MS-005NAA |
|                    | 10 m   | CA/MS-010NAA |
|                    | 20 m*) | CA/MS-020NAA |
| Memosens cable, Ex | 3 m    | CA/MS-003XAA |
|                    | 5 m    | CA/MS-005XAA |
|                    | 10 m   | CA/MS-010XAA |
|                    | 20 m*) | CA/MS-020XAA |

### CaliMat Buffer Solutions (20 °C)

| CaliMat Buffer Solutions (20 °C) | Quantity | Order No.     |
|----------------------------------|----------|---------------|
| pH value 2,00 ± 0,02             | 250 ml   | CS-P0200/250  |
|                                  | 250 ml   | CS-P0400/250  |
|                                  | 1000 ml  | CS-P0400/1000 |
|                                  | 3000 ml  | CS-P0400/3000 |
| pH value 4,00 ± 0,02             | 250 ml   | CS-P0700/250  |
|                                  | 1000 ml  | CS-P0700/1000 |
|                                  | 3000 ml  | CS-P0700/3000 |
| pH value 7,00 ± 0,02             | 250 ml   | CS-P0900/250  |
|                                  | 1000 ml  | CS-P0900/1000 |
|                                  | 3000 ml  | CS-P0900/3000 |
| pH value 9,00 ± 0,02             | 250 ml   | CS-P1200/250  |
|                                  | 1000 ml  | CS-P1200/1000 |
|                                  | 3000 ml  | CS-P1200/3000 |
| pH value 12,00 ± 0,05            | 250 ml   | CS-P1200/250  |
|                                  | 250 ml   | ZU 0317       |
| ORP buffer solution +220 mV      | 250 ml   | ZU 0317       |

### MemoSuite

| Management software for Memosens sensors |  | Order No.   |
|--|--|-------------|
|  | Basic version (calibration)                                | SW-MS1400-B |
|  | Advanced version (calibration, diagnostics, documentation) | SW-MS1400-A |

\*) Greater lengths on request