

EPC700 Module A

Prior to installation and assembly, make sure you have read and understood the “Supplemental Directives” and “Safety” chapters in the User Manual for the corresponding basic unit (EPC710, EPC720, or EPC730).

Intended Use

The EPC700 Module A program module (the “program module” or “product”) is a pre-programmed module for controlling a fixed cleaning cycle on a retractable fitting.

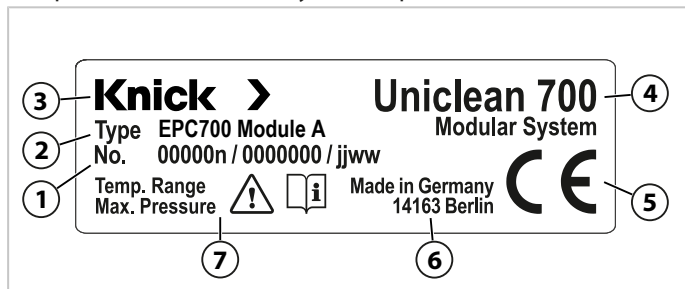
Use of the product is only permitted in compliance with the operating conditions stated in the Specifications.

Package Contents

- EPC700 Module A
- Installation Guide

Nameplate

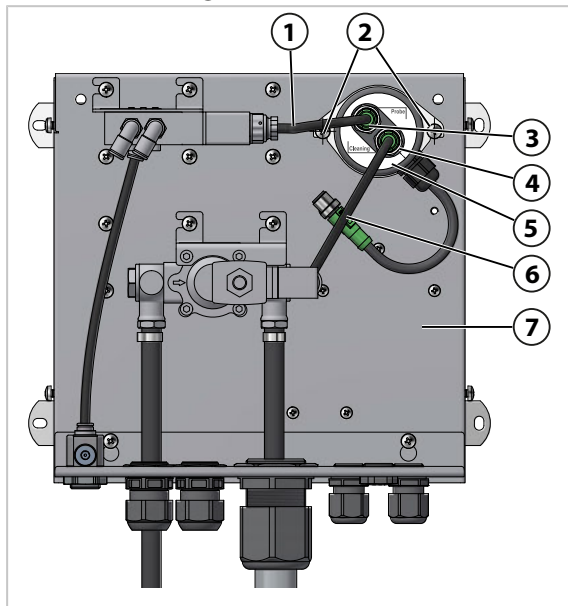
The product is identified by a nameplate.



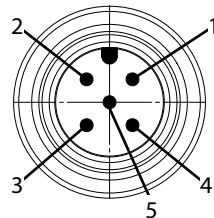
- 1 Item number, serial number, year/month
- 2 Model designation
- 3 Manufacturer
- 4 Product family
- 5 CE mark
- 6 Manufacturer address
- 7 For temperature range and max. operating pressure, see Specifications

Installation

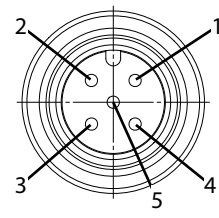
Use the mounting locations on the right-hand side of the base plate. The following figure shows the recommended mounting location.



Pin assignments



M12 connector



M12 sockets

Pin	Function	Function
1	24 V DC	Not used
2	Not used	Not used
3	GND reference potential	GND reference potential
4	Trigger signal input	Switched 24 V DC
5	PE protective conductor	PE protective conductor

NOTICE! Product damage due to electrostatic discharge (ESD). Take protective measures against electrostatic discharge.

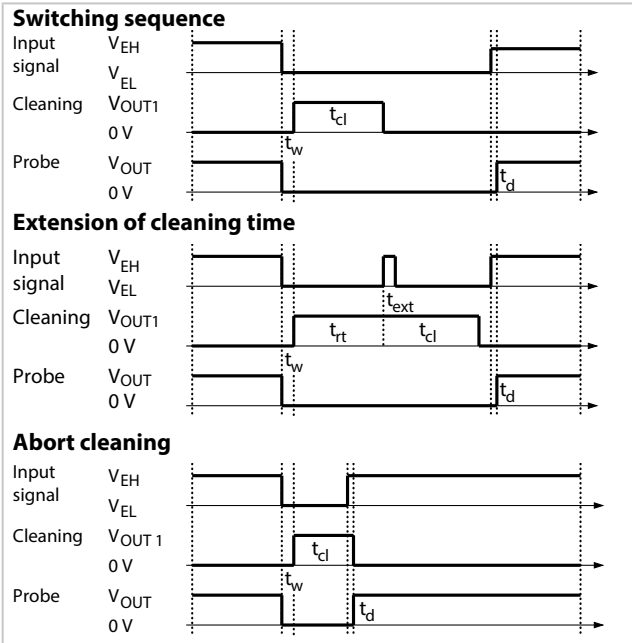
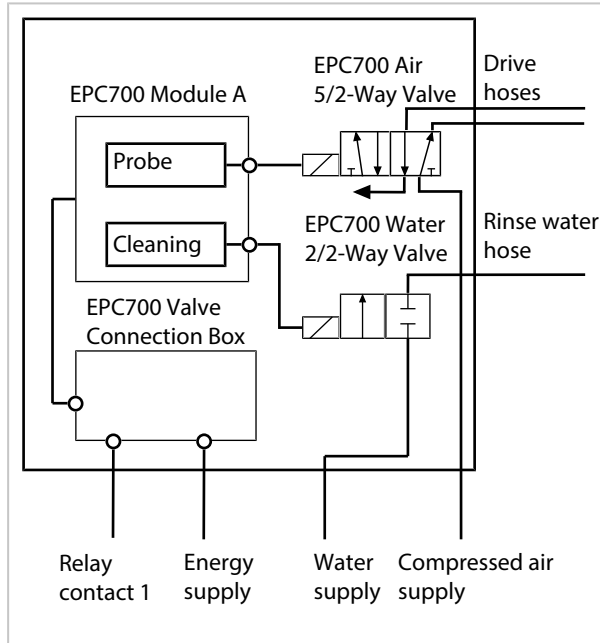
01. Loosen the screws (2) and fasten the program module (5) to the base plate (7) (see figure).
Note: All screws are pre-installed on the base plate.
02. Insert the cable (1) (EPC700 Air 5/2-Way Valve) into mounting location (3) (Probe) and tighten.
03. Insert the cable (6) (EPC700 Water 2/2-Way Valve) into mounting location (4) (Cleaning) and tighten.

Function

Control of a fixed cleaning cycle (move sensor out of the process, clean sensor, and move sensor into the process) of the retractable fitting.

For a description, see the User Manual for the basic unit (EPC710, EPC720, or EPC730).

EPC700 Module A Wiring



Specifications

Electrical Power Supply

Operating voltage	24 V DC \pm 10 %
Current consumption	\leq 31 mA + I _{out1} + I _{out2}
Connection	M12 connector, straight, 5-pin, A coding, free cable length approx. 175 mm

Input

Input level High V _{EH}	12 ... 26.4 V DC
Input level Low V _{EL}	-0.3 ... 2 V DC
Input current	-0.5 ... 0.5 mA
Input resistance	60 k Ω

Output

Output voltage V _{OUT1} , V _{OUT}	= Operating voltage
Output current I _{OUT1} , I _{OUT2}	Max. 1 A per channel
Output resistance	30 m Ω

Timing

Pick-up delay t _d	1.8 ... 2.2 s
Waiting time t _w	4.5 ... 5.5 s
Cleaning duration t _{cl}	27 ... 33 s
Extension pulse t _{ext}	0.5 ... 1.5 s
Re-trigger t _{rt}	1 ... 25 s

Ambient Conditions

Transport/storage temperature	-20 ... 70 °C (-4 ... 158 °F)
Ambient temperature	5 ... 50 °C (41 ... 122 °F)
Relative humidity	5 ... 95 %, not condensing

General

Dimensions	Approx. 48 × 62 × 88 mm (1.89 × 2.44 × 3.46")
Weight	Approx. 0.2 kg
Enclosure material	Plastic
Degree of protection according to EN 60529	IP65

