

## ZU1182 Connector for Rinsing Media

### Intended Use

The connector for rinsing media is used to join two rinsing media hoses. Carryback of the rinsing media into each other is prevented by check valves in the inlet of the connector.

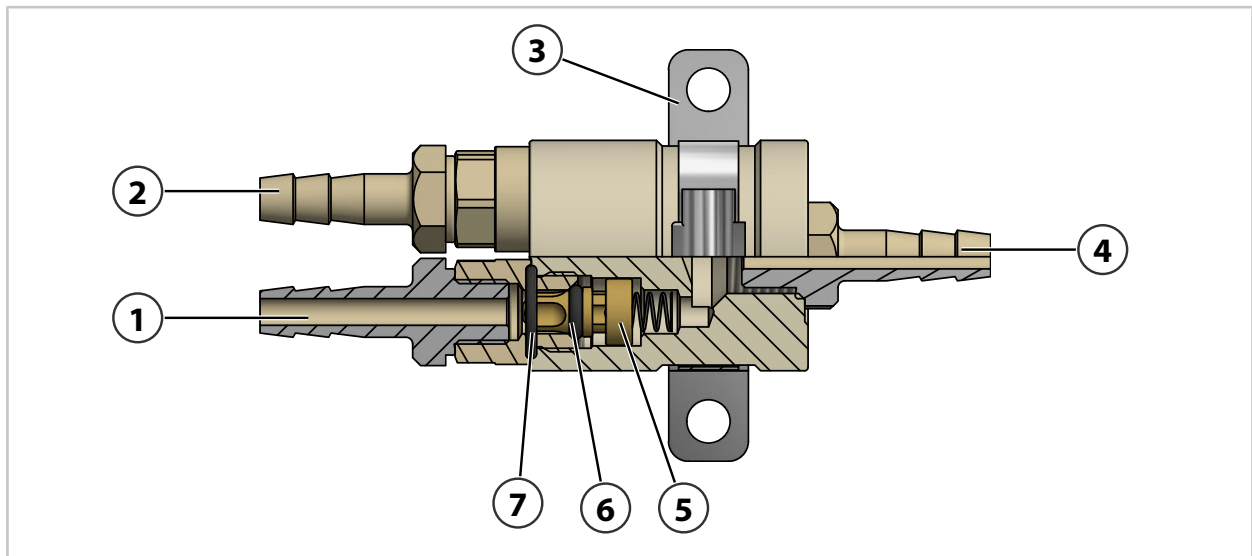
Only one rinsing medium at a time may be channeled through the ZU1182.

### Package Contents

- ZU1182
- Installation Guide

### Construction

Example



1	Inlet for rinsing medium 1 (hose connection DN 6)	5	Check valve
2	Inlet for rinsing medium 2 (hose connection DN 6)	6	O-ring 4 x 2 mm, EPDM
3	Wall holder with clip	7	O-ring 10 x 1.5 mm, EPDM
4	Outlet for rinsing medium 1 or 2 (hose connection DN 6)		

The connections illustrated can be replaced as follows:

Position number	Name	Connection
1	Inlet	Push-in connection with G $\frac{1}{8}$ " female thread
2	Inlet	Push-in connection with G $\frac{1}{8}$ " female thread
4	Outlet	Push-in connection with G $\frac{1}{4}$ " female thread

### Installation

**⚠ CAUTION! Injury due to use of aggressive rinsing media.** Handle aggressive rinsing media with caution. Wear personal protective equipment if necessary. Observe the safety instructions in the user manual of the associated device.

01. Check ZU1182 connector for rinsing media for damage.
02. Prepare the holes in accordance with the Dimension Drawing.
03. Fasten the wall holder **(3)** to the wall.
04. Secure hoses against slipping using hose clamps, for example.
05. Check for a tight fit.

## Specifications

### Ambient conditions

Transport/storage temperature	-20 ... 70 °C (-4 ... 158 °F)
Ambient temperature	-10 ... 70 °C (14 ... 158 °F)

### Rinsing media inlets

Quantity	2
Additional function	Backflow-free with check valves
Connections	G $\frac{1}{8}$ " female thread incl. inserts for hose DN 6
Permitted relative pressure, rinsing media	0 ... 10 bar (0 ... 145 psi)
Permitted temperature, rinsing media	-10 ... 70 °C (14 ... 158 °F)

### Rinsing media outlet

Connection	G $\frac{1}{4}$ " female thread incl. insert for hose DN 6
------------	--

### General

Dimensions	Approx. 110 × 62 × 58 mm (4.33 × 2.44 × 2.29")
Weight	Approx. 0.1 kg
Rinse-wetted materials	PP-H, PEEK, Hastelloy 2.4610
Seal material	EPDM
Assembly	Fixing bracket, stainless steel A4
Degree of protection in accordance with EN 60529	IP65

## Dimension Drawing

**Note:** All dimensions are specified in millimeters [inches].

